



**FRESENIUS  
KABI**

caring for life

# Volumat Lines

- Infusion
- Transfusion
- Oncology Paediatric
- Parenteral Nutrition





**FRESENIUS  
KABI**

caring for life

# FRESENIUS KABI caring for life

To the Health Care Professional,

Fresenius Kabi applies more than 40 years of experience in developing high quality infusion systems to support clinicians in reducing IV medication risks at the patient bedside.

The Volumat Lines are specifically designed for the Agilia and Exelia volumetric infusion pumps.

The Agilia and Exelia volumetric pumps and sets integrate state-of-the-art pumping mechanisms, to aid in accurate delivery of fluid in the clinical area.

Furthermore, Agilia and Exelia pumps and sets are designed to be very easy and intuitive to use.

## Navigating this document



Return to the contents page



Navigate to previous or next page



Navigate to section from contents



Switch between image and information in the tables

You can also use the bottom navigation to move between sections.

Standard &  
Primary Sets

Oncology  
Sets

Transfusion  
Sets

Paediatric  
Sets

Parenteral  
Nutrition Sets

Special  
Sets

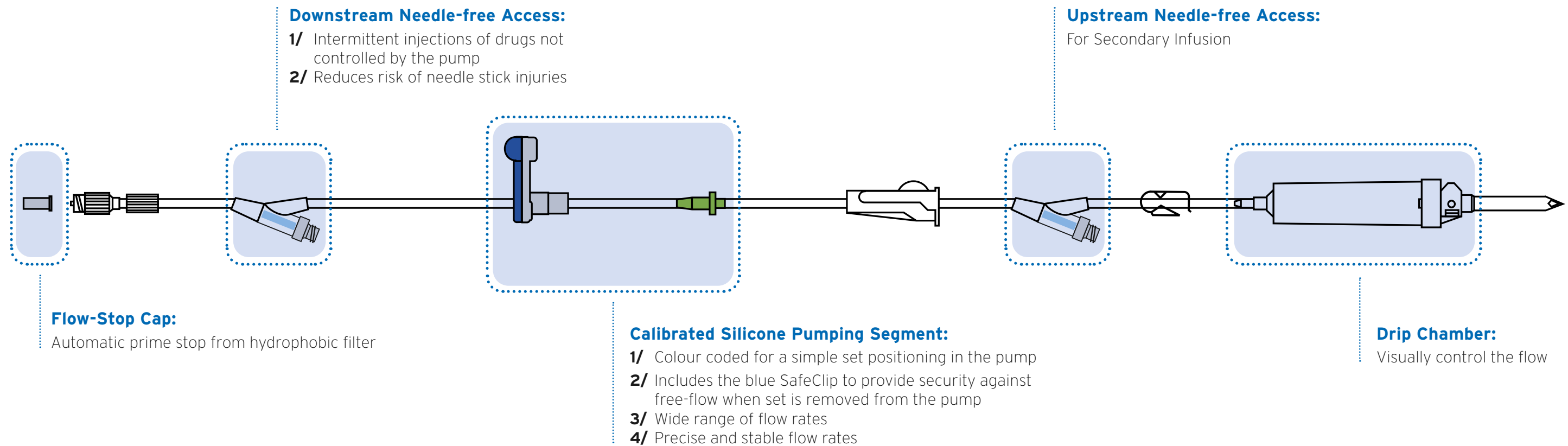
Secondary  
Sets

Additional  
Information



# Volumat Lines available features

→ Dedicated pump set





**FRESENIUS  
KABI**

caring for life

















# Volumat Lines



	Sets for infusion	Sets for transfusion	Drip chamber filter [µm]	Special characteristics	Needle-free access	Side lines	Drops / ml
<b>Standard and Primary Sets</b>							
VL ST00	●		15				
VL ST10	●		15				
VL ST01	●		15	1 needle injection site			
VL ST02	●		15		1		
VL ST02 ND	●			no liquid filter	1		
VL ST22	●		15		2		
VL ST42	●		15	1 one-way check valve	2		
VL ST44	●		15	1 one-way check valve	2		

	Sets for infusion	Sets for transfusion	Drip chamber filter [µm]	Special characteristics	Needle-free access	Side lines	Drops / ml
<b>Transfusion Sets</b>							
VL TR00		●	200				
VL TR12		●	200		1		
VL TR21	●	●	200		1		
VL TR22	●	●	200		2		
VL TR42	●	●	200	1 one-way check valve	2		
VL TR43	●	●	200		2		

	Sets for infusion	Sets for transfusion	Drip chamber filter [µm]	Special characteristics	Needle-free access	Side lines	Drops / ml
<b>Oncology Sets</b>							
VL ON10	●		15	3-Way-Stopcock		1	
VL ON11	●		15		1		
VL ON12	●		15		1		
VL ON15	●		15	2 spikes		1	
VL ON20	●			3-Way-Stopcock		2	
VL ON22	●		15		2		
VL ON22 FX	●		15	freeflex® connection	3		
VL ON30	●		15	3-Way-Stopcock		3	
VL ON40	●		15	3-Way-Stopcock, 2 spikes		3	
VL ON401	●		15		5		
VL ON42	●		15		4		
VL ON42 FX	●		15	freeflex® connection	5		
VL ON42 SC	●		15	3-Way-Stopcock	4		
VL ON45	●		15	2 spikes		4	
VL ON70	●		15	0.2 µm air eliminating filter			
VL ON72	●		15	0.2 µm air eliminating filter	1		
VL ON90	●		15	light protection			
VL ON91	●		15	light protection	1		
VL ON22 OP	●		15	light protection	2		
VL ON22 OP NF	●		15	light protection	3		
VL ON42 OP	●		15	light protection	4		
VL ON42 OP NF	●		15	light protection	5		
VL ON42 OP SC	●		15	3-Way-Stopcock, light protection	4		

# Volumat Lines

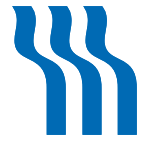


	Sets for infusion	Sets for trans-fusion	Drip chamber filter [µm]	Special characteristics	Needle-free access	Side lines	Drops / ml
<b>Paediatric Sets</b>							
VL PA02	●		15	microbore tube	1		60
VL PA92	●		15	burette set	2		20
VL PA93	●		15	burette set	2		20
VL PA94	●		15	burette set	2		60

	Sets for infusion	Sets for trans-fusion	Drip chamber filter [µm]	Special characteristics	Needle-free access	Side lines	Drops / ml
<b>Parenteral Nutritional Sets</b>							
VL PN00	●		15	1.2 µm air eliminating filter			
VL PN02	●		15	1.2 µm air eliminating filter	1		
VL PN20	●		15	upstream Luer Lock connection			
VL PN00 FX	●		15	freeflex® connection, 1.2 µm air eliminating filter			

	Sets for infusion	Sets for trans-fusion	Drip chamber filter [µm]	Special characteristics	Needle-free access	Side lines	Drops / ml
<b>Special Sets</b>							
VL SP22	●	●	200	2 spikes	1		
VL SP62	●		15		1		
VL SP90	●		15	coloured tubing (blue)			
VL SP92	●		15	coloured tubing (blue)	1		

	Sets for infusion	Sets for trans-fusion	Drip chamber filter [µm]	Special characteristics	Needle-free access	Side lines	Drops / ml
<b>Secondary Sets</b>							
SL	●						
SL Filter	●			0.2 µm air eliminating filter			
SL FX Filter	●			freeflex® connection, 0.2 µm air eliminating filter			
SL 20 FX ND	●			freeflex® connection, no drip chamber filter			
SL 00 DC	●		15	secondary hanger			
SL 00 FX	●			freeflex® connection			
SL 00 OP	●						
SL IP	●			injection port	1		
SL OP IP	●			injection port	1		
SL FILTER IP	●			0.2 µm air eliminating filter, injection port	1		



**FRESENIUS  
KABI**

caring for life

## Standard and Primary Sets

### VL ST00

ref. M46441000S

**Approximate set length:**

285 cm

**Approximate priming volume:**

25 ml

**Main materials:**

PVC (tubing: diameter 3.0 x 4.1 mm)

Silicone (tubing: diameter 3.41 x 5.11 mm)

**Advantages**

- Anti free-flow safety clamp
- DEHP as plasticizer is not used
- Latex-free

**Packaging**

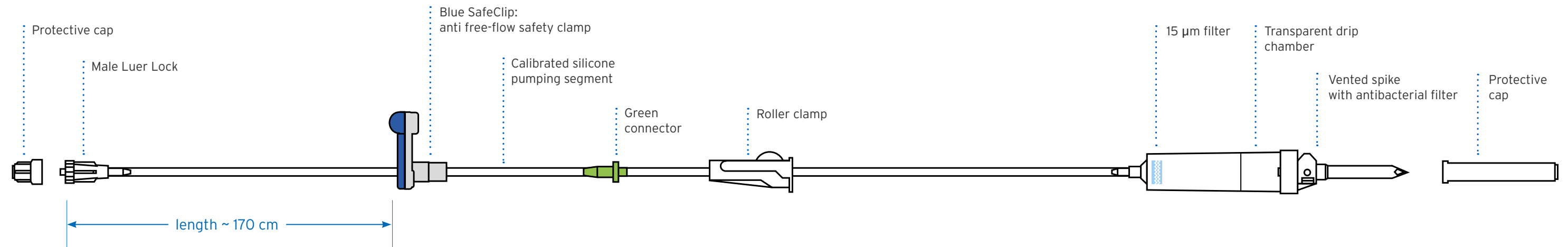
- Case quantity: 30 x 1

**Typical applications**

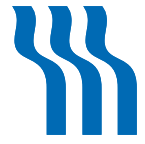
- Infusion of drugs / fluids
  - having no particular filtration requirements
  - available in bags or bottles
  - having no particular incompatibility

**Not to be used for / in**

- Blood cells
- Infusion of drugs known to be incompatible with PVC (e.g. trinitrine, isosorbide dinitrate, sodium nitroprussiate...)
- Light sensitive drugs (unless other precautions are taken to protect the drug against direct light)
- Primary / secondary mode with Volumat MC Agilia / Agilia VP MC / Exelia VP



Due to our policy of continuous product improvement, as well as changes in standards, the features described in this document may change. Please consult us for the most current information.



**FRESENIUS  
KABI**

caring for life

## VL ST10

ref. M46441300S

### Approximate set length:

285 cm

### Approximate priming volume:

25 ml

### Main materials:

PVC (tubing: diameter 3.0 x 4.1 mm)

Silicone (tubing: diameter 3.41 x 5.11 mm)

### Advantages

- Anti free-flow safety clamp
- Flow-Stop Cap
- DEHP as plasticizer is not used
- Latex-free

### Packaging

- Case quantity: 30 x 1

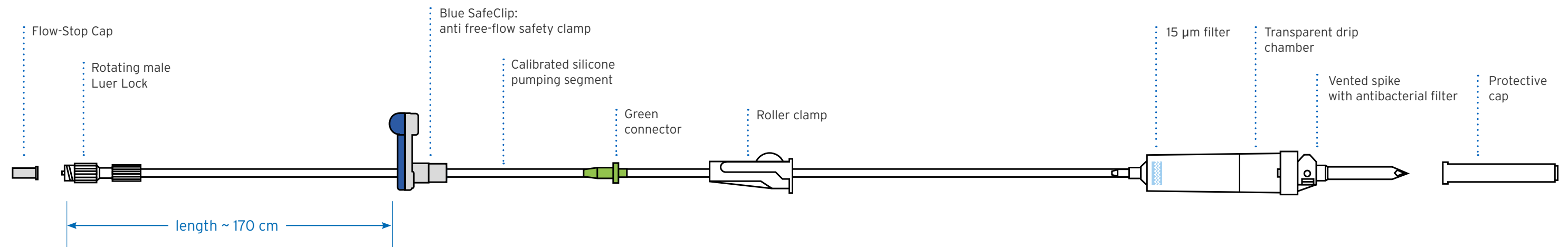
### Typical applications

- Infusion of drugs / fluids
  - having no particular filtration requirements
  - available in bags or bottles
  - having no particular incompatibility

### Not to be used for / in

- Blood cells
- Infusion of drugs known to be incompatible with PVC (e.g. trinitrine, isosorbide dinitrate, sodium nitroprussiate...)
- Light sensitive drugs (unless other precautions are taken to protect the drug against direct light)
- Primary / secondary mode with Volumat MC Agilia / Agilia VP MC / Exelia VP

## Standard and Primary Sets



Due to our policy of continuous product improvement, as well as changes in standards, the features described in this document may change. Please consult us for the most current information.



**FRESENIUS  
KABI**

caring for life

## Standard and Primary Sets

### VL ST01

ref. M46441600S

#### Approximate set length:

285 cm

#### Approximate priming volume:

25 ml

#### Main materials:

PVC (tubing: diameter 3.0 x 4.1 mm)

Silicone (tubing: diameter 3.41 x 5.11 mm)

#### Advantages

- Patient proximal needle access for emergency application
- Anti free-flow safety clamp
- DEHP as plasticizer is not used
- Latex-free

#### Packaging

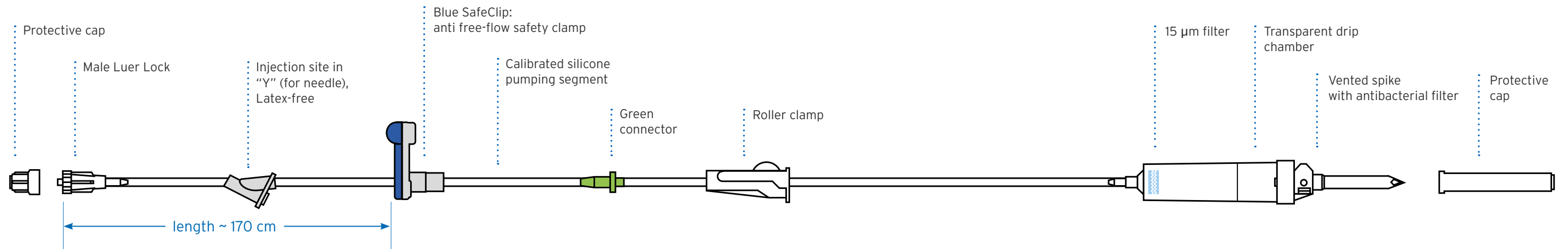
- Case quantity: 30 x 1

#### Typical applications

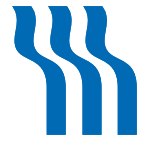
- Infusion of drugs / fluids
  - having no particular filtration requirements
  - available in bags or bottles (main line)
  - having no particular incompatibility

#### Not to be used for / in

- Blood cells
- Infusion of drugs known to be incompatible with PVC (e.g. trinitrine, isosorbide dinitrate, sodium nitroprussiate...)
- Light sensitive drugs (unless other precautions are taken to protect the drug against direct light)
- Primary / secondary mode with Volumat MC Agilia / Agilia VP MC / Exelia VP



Due to our policy of continuous product improvement, as well as changes in standards, the features described in this document may change. Please consult us for the most current information.



**FRESENIUS  
KABI**

caring for life

## Standard and Primary Sets

### VL ST02

ref. M46441900S

**Approximate set length:**

285 cm

**Approximate priming volume:**

25 ml

**Main materials:**

PVC (tubing: diameter 3.0 x 4.1 mm)

Silicone (tubing: diameter 3.41 x 5.11 mm)

**Advantages**

- Patient proximal access for emergency application
- Anti free-flow safety clamp
- Flow-Stop Cap
- DEHP as plasticizer is not used
- Latex-free

**Packaging**

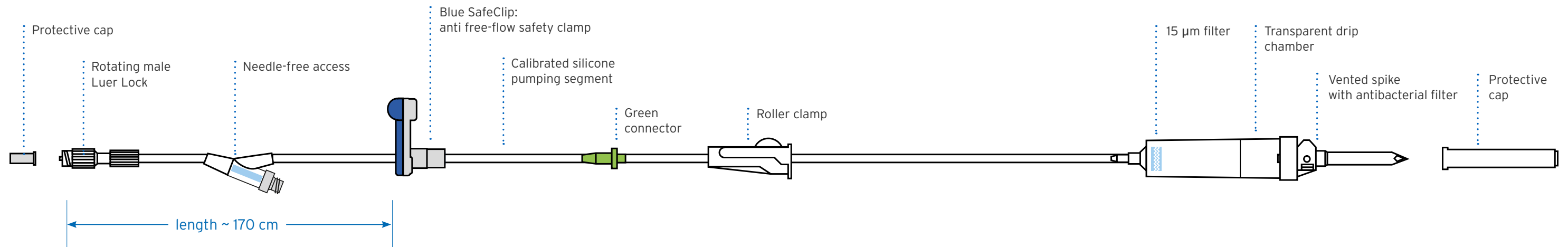
- Case quantity: 30 x 1

**Typical applications**

- Infusion of drugs / fluids
  - having no particular filtration requirements
  - available in bags or bottles
  - having no particular incompatibility

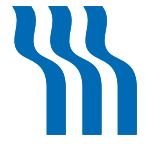
**Not to be used for / in**

- Blood cells
- Infusion of drugs known to be incompatible with PVC (e.g. trinitrine, isosorbide dinitrate, sodium nitroprussiate...)
- Light sensitive drugs (unless other precautions are taken to protect the drug against direct light)
- Needle-free access should not be used to connect a gravity line (unless it is protected by a back check valve)
- Primary / secondary mode with Volumat MC Agilia / Agilia VP MC / Exelia VP



Due to our policy of continuous product improvement, as well as changes in standards, the features described in this document may change. Please consult us for the most current information.





**FRESENIUS  
KABI**

caring for life

## Standard and Primary Sets

### VL ST02 ND

ref. M46441980

**Approximate set length:**

285 cm

**Approximate priming volume:**

25 ml

**Main materials:**

PVC (tubing: diameter 3.0 x 4.1 mm)

Silicone (tubing: diameter 3.41 x 5.11 mm)

**Advantages**

- No liquid filter in the drip chamber
- Patient proximal access for emergency application
- Anti free-flow safety clamp
- Flow-Stop Cap
- DEHP as plasticizer is not used
- Latex-free

**Packaging**

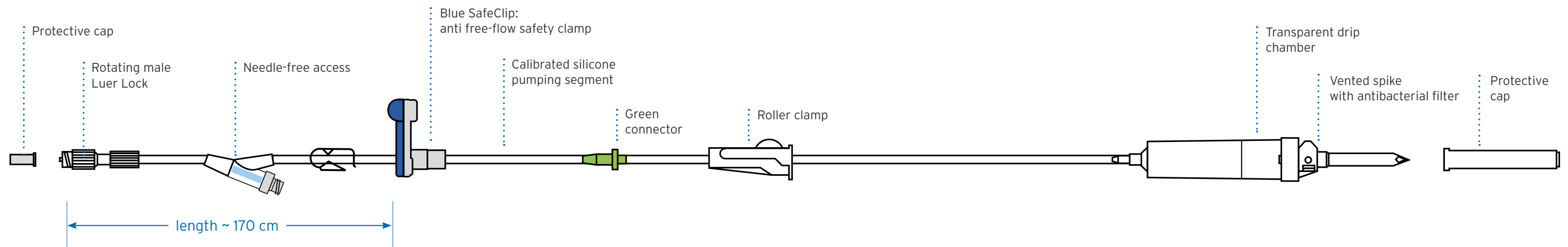
- Case quantity: 30 x 1

**Typical applications**

- Infusion of drugs / fluids
  - having no particular filtration requirements
  - available in bags or bottles (main line)
  - having no particular incompatibility

**Not to be used for / in**

- Blood cells
- Infusion of drugs known to be incompatible with PVC (e.g. trinitrine, isosorbide dinitrate, sodium nitroprussiate...)
- Light sensitive drugs (unless other precautions are taken to protect the drug against direct light)
- Needle-free access should not be used to connect a gravity line (unless it is protected by a back check valve)
- Primary / secondary mode with Volumat MC Agilia / Agilia VP MC / Exelia VP



Due to our policy of continuous product improvement, as well as changes in standards, the features described in this document may change. Please consult us for the most current information.

## VL ST22

ref. M46442500S

### Approximate set length:

285 cm

### Approximate priming volume:

25 ml

### Main materials:

PVC (tubing: diameter 3.0 x 4.1 mm)

Silicone (tubing: diameter 3.41 x 5.11 mm)

### Advantages

- Patient proximal access for emergency application
- Anti free-flow safety clamp
- Flow-Stop Cap
- DEHP as plasticizer is not used
- Latex-free

### Packaging

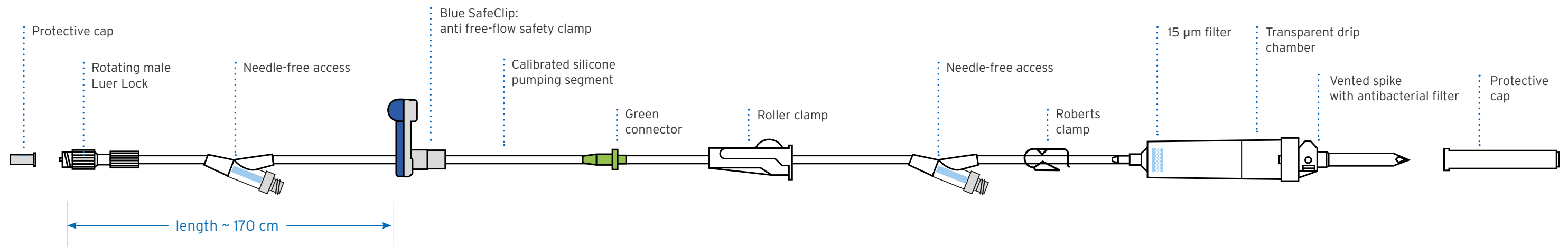
- Case quantity: 30 x 1

### Typical applications

- Infusion of drugs / fluids
  - having no particular filtration requirements
  - available in bags or bottles
  - having no particular incompatibility
- Infusion of different drugs in the same set with use of Secondary Lines
- Manual primary / secondary mode with Volumat MC Agilia / Agilia VP MC / Exelia VP

### Not to be used for / in

- Blood cells
- Infusion of drugs known to be incompatible with PVC (e.g. trinitrine, isosorbide dinitrate, sodium nitroprussiate...)
- Light sensitive drugs (unless other precautions are taken to protect the drug against direct light)
- Needle-free access should not be used to connect a gravity line (unless it is protected by a back check valve)
- Automatic primary / secondary mode with Volumat MC Agilia / Agilia VP MC





**FRESENIUS  
KABI**

caring for life

## Standard and Primary Sets

### VL ST42

ref. M46442600S

**Approximate set length:**

270 cm

**Approximate priming volume:**

25 ml

**Main materials:**

PVC (tubing: diameter 3.0 x 4.1 mm)

Silicone (tubing: diameter 3.41 x 5.11 mm)

**Advantages**

- One-way check valve
- Patient proximal access for emergency application
- Anti free-flow safety clamp
- Flow-Stop Cap
- DEHP as plasticizer is not used
- Latex-free

**Packaging**

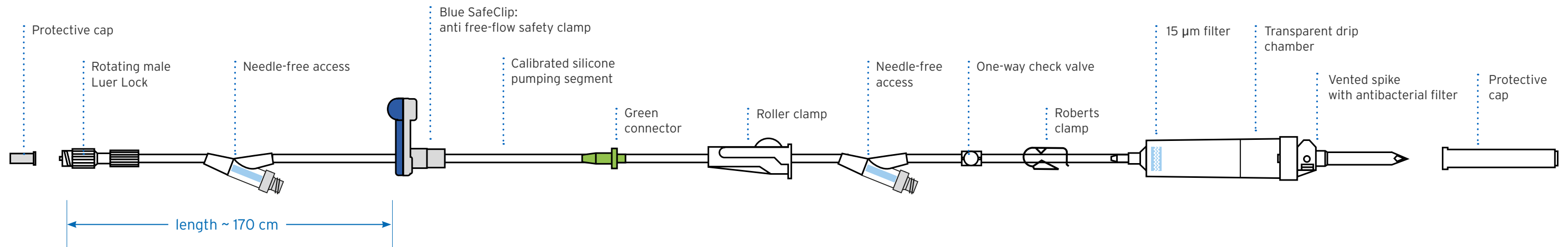
- Case quantity: 30 x 1

**Typical applications**

- Infusion of drugs / fluids
  - having no particular filtration requirements
  - available in bags or bottles (main line)
  - having no particular incompatibility
- Infusion of different drugs in the same set with use of Secondary Lines
- Manual primary / secondary mode with Volumat MC Agilia / Agilia VP MC / Exelia VP
- Automatic primary / secondary mode with Volumat MC Agilia / Agilia VP MC

**Not to be used for / in**

- Blood cells
- Infusion of drugs known to be incompatible with PVC (e.g. trinitrine, isosorbide dinitrate, sodium nitroprussiate...)
- Light sensitive drugs (unless other precautions are taken to protect the drug against direct light)
- Needle-free access should not be used to connect a gravity line (unless it is protected by a back check valve)



Due to our policy of continuous product improvement, as well as changes in standards, the features described in this document may change. Please consult us for the most current information.



**FRESENIUS  
KABI**

caring for life

## Standard and Primary Sets

### VL ST44

ref. M46443200

#### Approximate set length:

280 cm

#### Approximate priming volume:

26 ml

#### Main materials:

PVC (tubing: diameter 3.0 x 4.1 mm)

Silicone (tubing: diameter 3.41 x 5.11 mm)

#### Advantages

- One-way check valve
- Patient proximal access for emergency application
- Anti free-flow safety clamp
- Flow-Stop Cap
- DEHP as plasticizer is not used
- Latex-free

#### Packaging

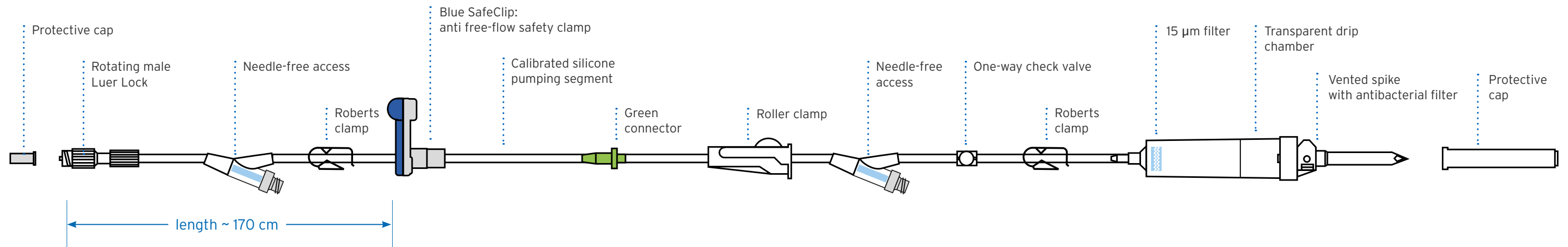
- Case quantity: 30 x 1

#### Typical applications

- Infusion of drugs / fluids
  - having no particular filtration requirements
  - available in bags or bottles
  - having no particular incompatibility
- Infusion of different drugs in the same set with use of Secondary Lines
- Manual primary / secondary mode with Volumat MC Agilia / Agilia VP MC / Exelia VP
- Automatic primary / secondary mode with Volumat MC Agilia / Agilia VP MC

#### Not to be used for / in

- Blood cells
- Infusion of drugs known to be incompatible with PVC (e.g. trinitrine, isosorbide dinitrate, sodium nitroprussiate...)
- Light sensitive drugs (unless other precautions are taken to protect the drug against direct light)
- Needle-free access should not be used to connect a gravity line (unless it is protected by a back check valve)



Due to our policy of continuous product improvement, as well as changes in standards, the features described in this document may change. Please consult us for the most current information.

## VL ON10

ref. M46445500S

### Approximate set length:

310 cm

### Approximate priming volume:

28 ml

### Main materials:

PVC (tubing: diameter 3.0 x 4.1 mm)

Silicone (tubing: diameter 3.41 x 5.11 mm)

### Advantages

- Possible use with bags equipped with Luer Lock connector
- Patient proximal access for emergency application
- Anti free-flow safety clamp
- Flow-Stop Cap
- DEHP as plasticizer is not used
- Latex-free

### Packaging

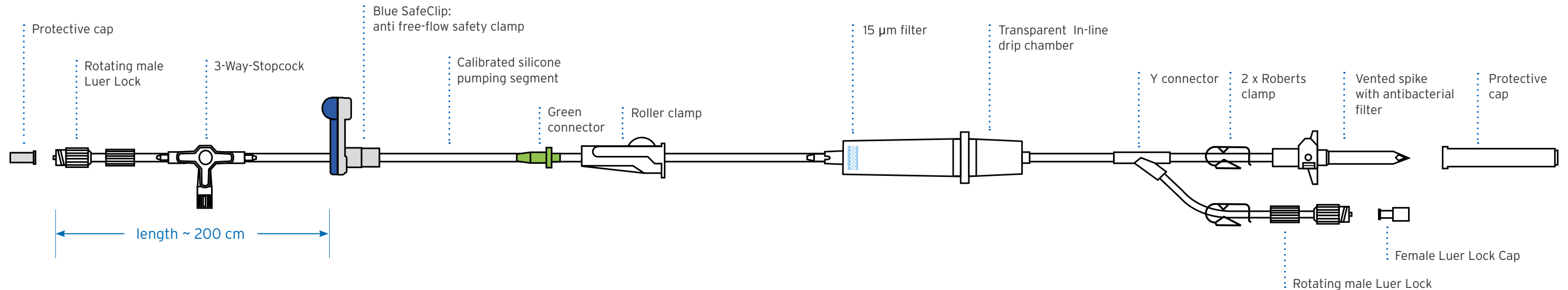
- Case quantity: 30 x 1

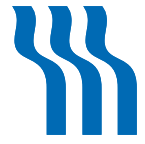
### Typical applications

- Infusion of drugs / fluids
  - available in bags with female Luer Lock (side line)
  - available in bags or bottles
  - having no particular filtration requirements
  - having no particular incompatibility
- Infusion of different drugs in the same set with use of Secondary Lines
- Manual primary / secondary mode with Volumat MC Agilia / Volumat MC Agilia VP MC / Exelia VP
- Secondary Infusion

### Not to be used for / in

- Blood cells
- Spikeable bags nor bottles in side line
- Infusion of drugs known to be incompatible with PVC (e.g. trinitrine, isosorbide dinitrate, sodium nitroprussiate...)
- Light sensitive drugs (unless other precautions are taken to protect the drug against direct light)
- Automatic primary / secondary mode with Volumat MC Agilia / Volumat MC Agilia VP MC





**FRESENIUS  
KABI**

caring for life

## Oncology Sets

### VL ON11

ref. M46443900S

**Approximate set length:**

270 cm

**Approximate priming volume:**

25 ml

**Main materials:**

PVC (tubing: diameter 3.0 x 4.1 mm)

Silicone (tubing: diameter 3.41 x 5.11 mm)

**Advantages**

- Anti free-flow safety clamp
- Flow-Stop Cap
- DEHP as plasticizer is not used
- Latex-free

**Packaging**

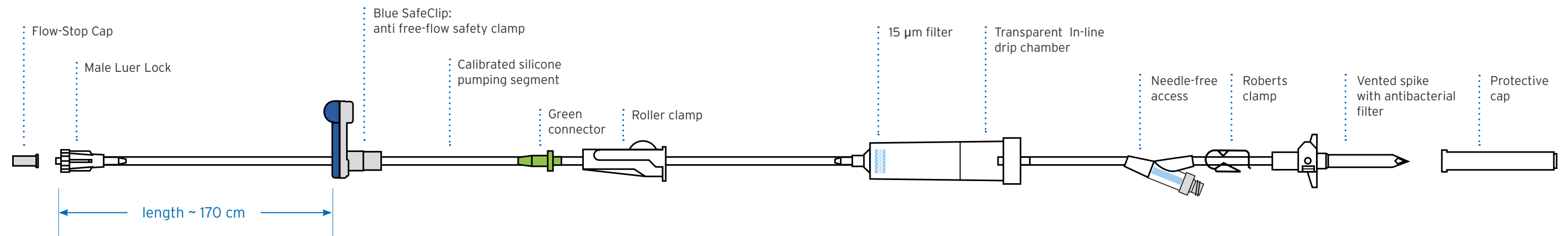
- Case quantity: 30 x 1

**Typical applications**

- Infusion of drugs / fluids
  - having no particular filtration requirements
  - available in bags or bottles
  - having no particular incompatibility
- Infusion of different drugs in the same set with use of Secondary Lines
- Manual primary / secondary mode with Volumat MC Agilia / Volumat MC Agilia VP MC / Exelia VP

**Not to be used for / in**

- Blood cells
- Infusion of drugs known to be incompatible with PVC (e.g. trinitrine, isosorbide dinitrate, sodium nitroprussiate...)
- Light sensitive drugs (unless other precautions are taken to protect the drug against direct light)
- Needle-free access should not be used to connect a gravity line (unless it is protected by a back check valve)
- Automatic primary / secondary mode with Volumat MC Agilia / Volumat MC Agilia VP MC



Due to our policy of continuous product improvement, as well as changes in standards, the features described in this document may change. Please consult us for the most current information.



**FRESENIUS  
KABI**

caring for life

## Oncology Sets

### VL ON12

ref. M46444800S

#### Approximate set length:

270 cm

#### Approximate priming volume:

25 ml

#### Main materials:

PUR (tubing: diameter 3.0 x 4.1 mm)

PP (tubing: diameter 2.94 x 4.02 mm)

Silicone (tubing: diameter 3.41 x 5.11 mm)

#### Advantages

- Anti free-flow safety clamp
- Flow-Stop Cap
- PVC-free
- DEHP as plasticizer is not used
- Latex-free

#### Packaging

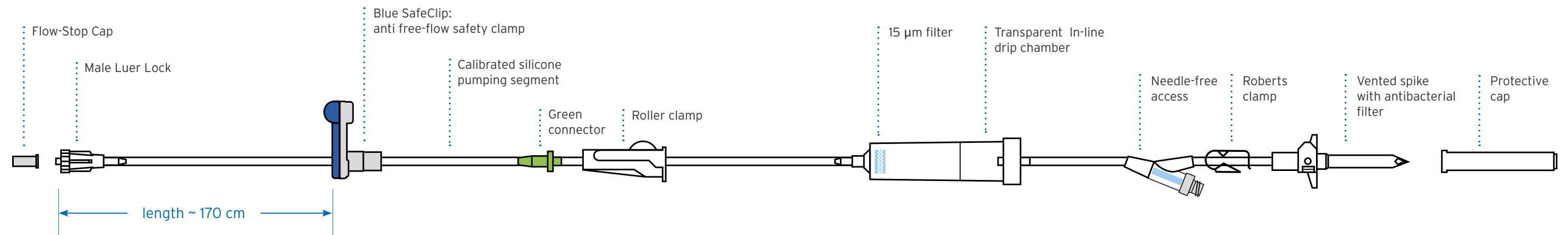
- Case quantity: 30 x 1

#### Typical applications

- Infusion of drugs / fluids
  - having no particular filtration requirements
  - available in bags or bottles
  - having no particular incompatibility
- Infusion of drugs not compatible with PVC
- Infusion of different drugs in the same set with use of Secondary Lines
- Manual primary / secondary mode with Volumat MC Agilia / Volumat MC Agilia VP MC / Exelia VP

#### Not to be used for / in

- Blood cells
- Light sensitive drugs (unless other precautions are taken to protect the drug against direct light)
- Needle-free access should not be used to connect a gravity line (unless it is protected by a back check valve)
- Automatic primary / secondary mode with Volumat MC Agilia / Volumat MC Agilia VP MC



Due to our policy of continuous product improvement, as well as changes in standards, the features described in this document may change. Please consult us for the most current information.

## VL ON15

ref. M46446600

### Approximate set length:

310 cm

### Approximate priming volume:

28 ml

### Main materials:

PVC (tubing: diameter 3.0 x 4.1 mm)

Silicone (tubing: diameter 3.41 x 5.11 mm)

### Advantages

- Possible use with bags equipped with Luer Lock connector
- Anti free-flow safety clamp
- Flow-Stop Cap
- DEHP as plasticizer is not used
- Latex-free

### Packaging

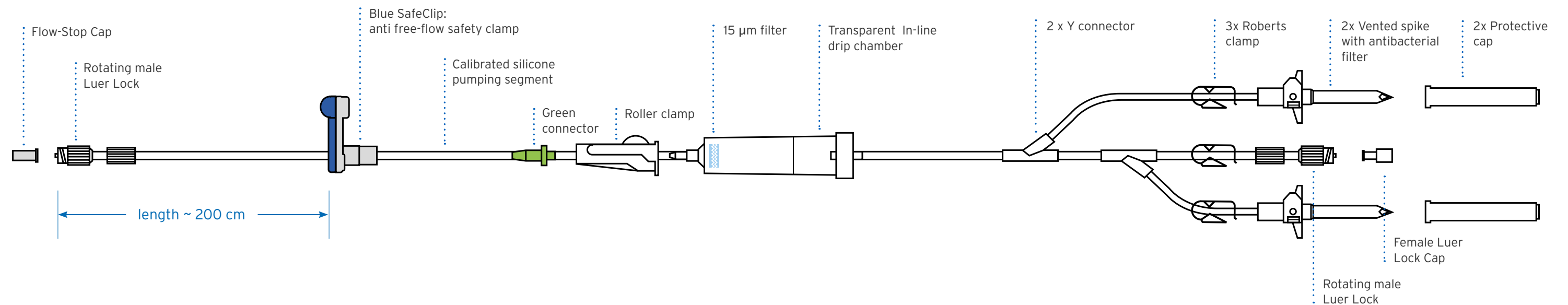
- Case quantity: 30 x 1

### Typical applications

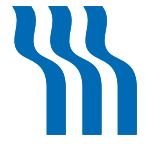
- Infusion of drugs / fluids
  - available in bags with female Luer Lock (side line)
  - available in bags or bottles
  - having no particular filtration requirements
  - having no particular incompatibility
- Infusion of different drugs in the same set with use of Secondary Lines
- Manual primary / secondary mode with Volumat MC Agilia / Volumat MC Agilia VP MC / Exelia VP
- Secondary infusion

### Not to be used for / in

- Blood cells
- Infusion of drugs to be known to be incompatible with PVC (e.g. trinitrine, isosorbide dinitrate, sodium nitroprussiate...)
- Light sensitive drugs (unless other precautions are taken to protect the drug against direct light)
- Automatic primary / secondary mode with Volumat MC Agilia / Volumat MC Agilia VP MC







**FRESENIUS  
KABI**

caring for life

## Oncology Sets

### VL ON20

ref. M46445700S

**Approximate set length:**

310 cm

**Approximate priming volume:**

30 ml

**Main materials:**

PVC (tubing: diameter 3.0 x 4.1 mm)

Silicone (tubing: diameter 3.41 x 5.11 mm)

**Advantages**

- Possible use with bags equipped with Luer Lock connector
- Patient proximal access for emergency application
- Anti free-flow safety clamp
- Flow-Stop Cap
- DEHP as plasticizer is not used
- Latex-free

**Packaging**

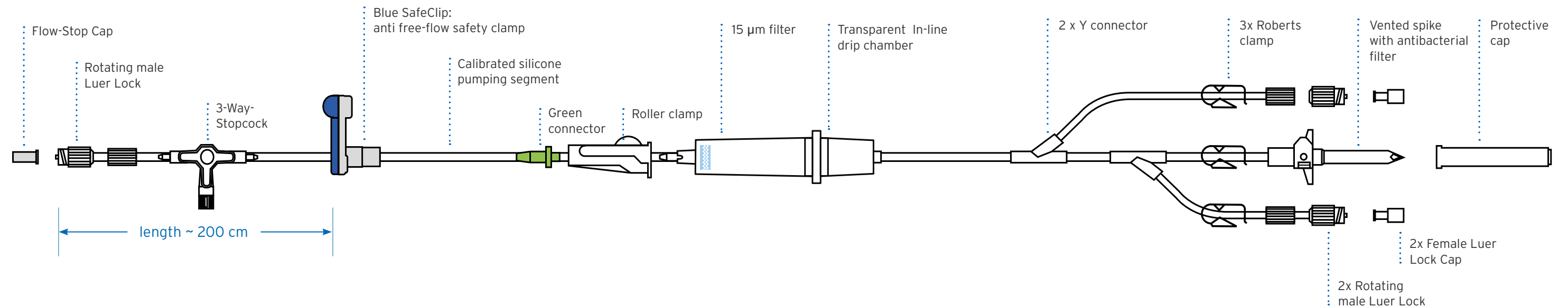
- Case quantity: 30 x 1

**Typical applications**

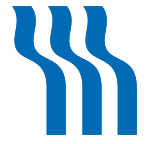
- Infusion of drugs / fluids
  - available in bags with female Luer Lock (side line)
  - available in bags or bottles
  - having no particular filtration requirements
  - having no particular incompatibility
- Infusion of different drugs in the same set with use of Secondary Lines
- Manual primary / secondary mode with Volumat MC Agilia / Volumat MC Agilia VP MC / Exelia VP
- Secondary Infusion

**Not to be used for / in**

- Blood cells
- Spikeable bags nor bottles in side line
- Infusion of drugs known to be incompatible with PVC (e.g. trinitrine, isosorbide dinitrate, sodium nitroprussiate...)
- Light sensitive drugs (unless other precautions are taken to protect the drug against direct light)
- Automatic primary / secondary mode with Volumat MC Agilia / Volumat MC Agilia VP MC



Due to our policy of continuous product improvement, as well as changes in standards, the features described in this document may change. Please consult us for the most current information.



**FRESENIUS  
KABI**

caring for life

## Oncology Sets

### VL ON22

ref. M46444200S

#### Approximate set length:

270 cm

#### Approximate priming volume:

25 ml

#### Main materials:

PUR (tubing: diameter 3.0 x 4.1 mm)

PP (tubing: diameter 2.94 x 4.02 mm)

Silicone (tubing: diameter 3.41 x 5.11 mm)

#### Advantages

- Anti free-flow safety clamp
- Flow-Stop Cap
- PVC-free
- DEHP as plasticizer is not used
- Latex-free

#### Packaging

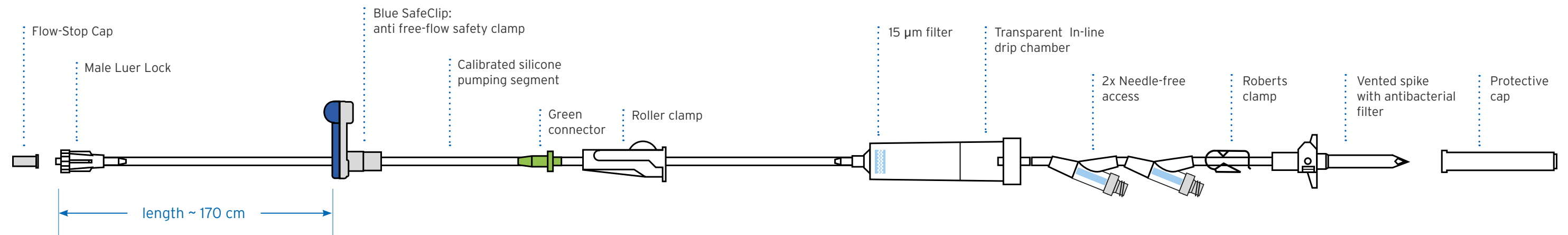
- Case quantity: 30 x 1

#### Typical applications

- Infusion of drugs / fluids
  - having no particular filtration requirements
  - available in bags or bottles
  - having no particular incompatibility
- Infusion of drugs not compatible with PVC
- Infusion of different drugs in the same set with use of Secondary Lines
- Manual primary / secondary mode with Volumat MC Agilia / Volumat MC Agilia VP MC / Exelia VP

#### Not to be used for / in

- Blood cells
- Light sensitive drugs (unless other precautions are taken to protect the drug against direct light)
- Needle-free access should not be used to connect a gravity line (unless it is protected by a back check valve)
- Automatic primary / secondary mode with Volumat MC Agilia / Volumat MC Agilia VP MC



Due to our policy of continuous product improvement, as well as changes in standards, the features described in this document may change. Please consult us for the most current information.



**FRESENIUS  
KABI**

caring for life

## Oncology Sets

### VL ON22 FX

ref. M46444251

#### Approximate set length:

270 cm

#### Approximate priming volume:

26 ml

#### Main materials:

PUR (tubing: diameter 3.0 x 4.1 mm)

PP (tubing: diameter 2.94 x 4.02 mm)

Silicone (tubing: diameter 3.41 x 5.11 mm)

#### Advantages

- Tight and secure connection with freeflex® / freeflex®+, ensuring a permanent connection avoiding spillages
- Patient proximal access for emergency application
- Anti free-flow safety clamp
- Flow-Stop Cap
- PVC-free
- DEHP as plasticizer is not used
- Latex-free

#### Packaging

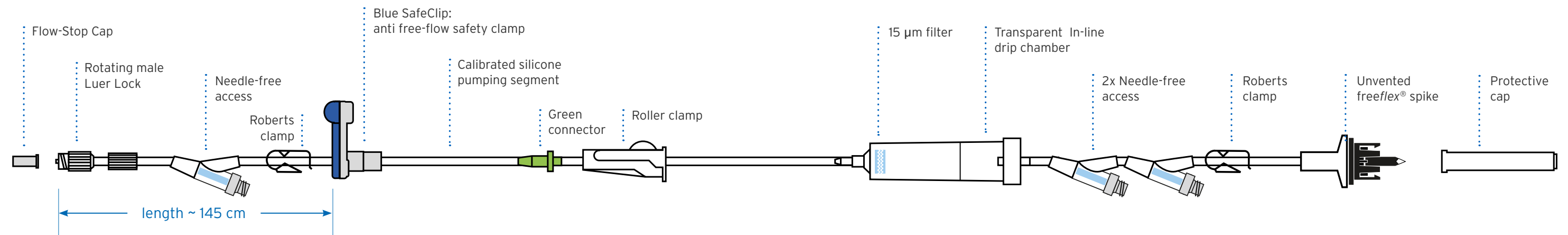
- Case quantity: 30 x 1

#### Typical applications

- Only use with Fresenius Kabi freeflex® / freeflex®+ Bags
- Infusion of drugs / fluids
  - having no particular filtration requirements
  - having no particular incompatibility
- Infusion of drugs not compatible with PVC
- Infusion of different drugs in the same set with use of Secondary Lines
- Manual primary / secondary mode with Volumat MC Agilia / Volumat MC Agilia VP MC / Exelia VP

#### Not to be used for / in

- Bottles
- Standard bags
- Blood cells
- Light sensitive drugs (unless other precautions are taken to protect the drug against direct light)
- Needle-free access should not be used to connect a gravity line (unless it is protected by a one-way check valve)
- Automatic primary / secondary mode with Volumat MC Agilia / Volumat MC Agilia VP MC



Due to our policy of continuous product improvement, as well as changes in standards, the features described in this document may change. Please consult us for the most current information.



**FRESENIUS  
KABI**

caring for life

## Oncology Sets

### VL ON30

ref. M46445900S

#### Approximate set length:

310 cm

#### Approximate priming volume:

33 ml

#### Main materials:

PVC (tubing: diameter 3.0 x 4.1 mm)

Silicone (tubing: diameter 3.41 x 5.11 mm)

#### Advantages

- Possible use with bags equipped with Luer Lock connector
- Patient proximal access for emergency application
- Anti free-flow safety clamp
- Flow-Stop Cap
- DEHP as plasticizer is not used
- Latex-free

#### Packaging

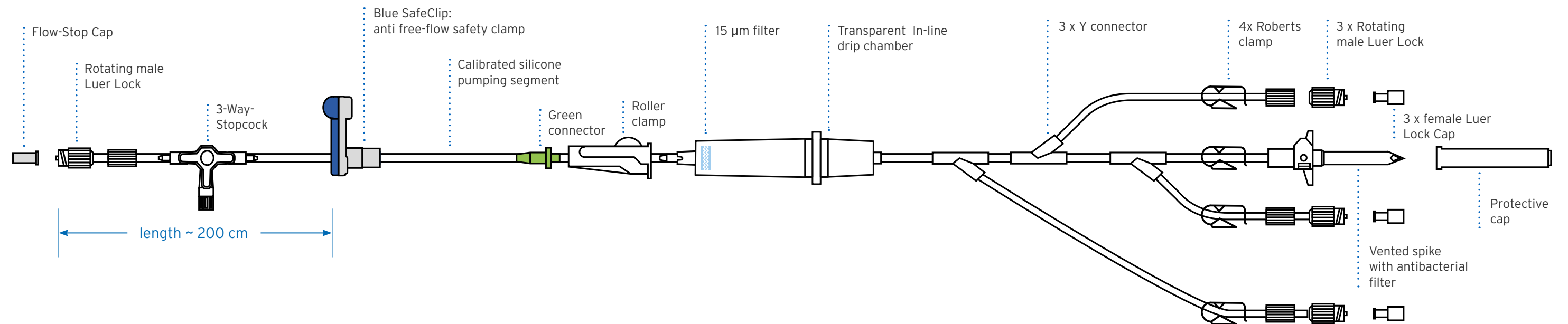
- Case quantity: 30 x 1

#### Typical applications

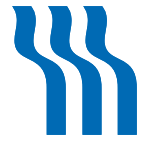
- Infusion of drugs / fluids
  - available in bags with female Luer Lock (side line)
  - available in bags or bottles
  - having no particular filtration requirements
  - having no particular incompatibility
- Infusion of different drugs in the same set with use of Secondary Lines
- Manual primary / secondary mode with Volumat MC Agilia / Volumat MC Agilia VP MC / Exelia VP
- Secondary Infusion

#### Not to be used for / in

- Blood cells
- Spikeable bags nor bottles in side line
- Infusion of drugs known to be incompatible with PVC (e.g. trinitrine, isosorbide dinitrate, sodium nitroprussiate...)
- Light sensitive drugs (unless other precautions are taken to protect the drug against direct light)
- Automatic primary / secondary mode with Volumat MC Agilia / Volumat MC Agilia VP MC



Due to our policy of continuous product improvement, as well as changes in standards, the features described in this document may change. Please consult us for the most current information.



**FRESENIUS  
KABI**

caring for life

## Oncology Sets

### VL ON40

ref. M46445100S

#### Approximate set length:

310 cm

#### Approximate priming volume:

34 ml

#### Main materials:

PVC (tubing: diameter 3.0 x 4.1 mm)

Silicone (tubing: diameter 3.41 x 5.11 mm)

#### Advantages

- Possible use with bags equipped with Luer Lock connector
- Patient proximal access for emergency application
- Anti free-flow safety clamp
- Flow-Stop Cap
- DEHP as plasticizer is not used
- Latex-free

#### Packaging

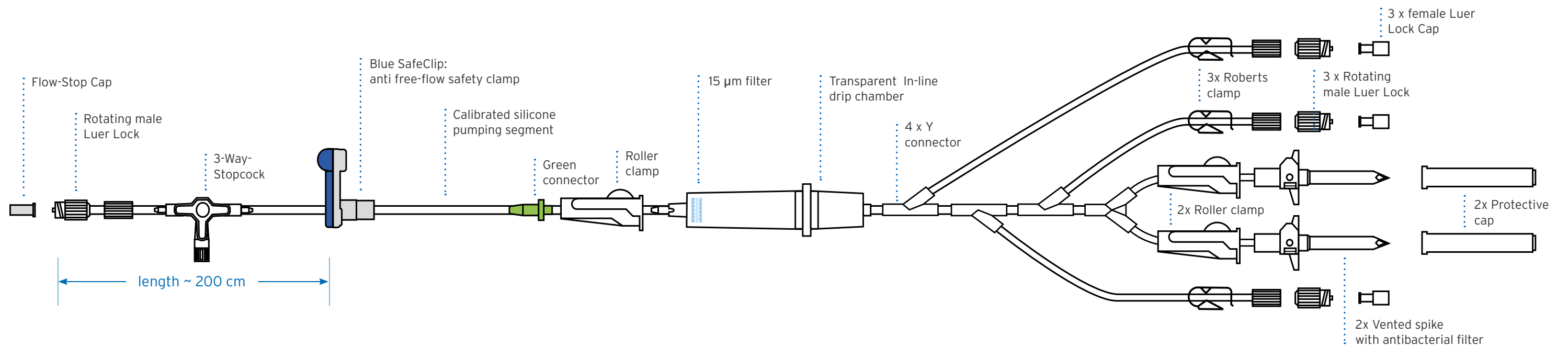
- Case quantity: 25 x 1

#### Typical applications

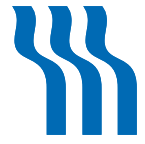
- Infusion of drugs / fluids
  - available in bags with female Luer Lock (side line)
  - available in bags or bottles
  - having no particular filtration requirements
  - having no particular incompatibility
- Infusion of different drugs in the same set with use of Secondary Lines
- Manual primary / secondary mode with Volumat MC Agilia / Volumat MC Agilia VP MC / Exelia VP
- Secondary Infusion

#### Not to be used for / in

- Blood cells
- Infusion of drugs known to be incompatible with PVC (e.g. trinitrine, isosorbide dinitrate, sodium nitroprussiate...)
- Light sensitive drugs (unless other precautions are taken to protect the drug against direct light)
- Automatic primary / secondary mode with Volumat MC Agilia / Volumat MC Agilia VP MC



Due to our policy of continuous product improvement, as well as changes in standards, the features described in this document may change. Please consult us for the most current information.



**FRESENIUS  
KABI**

caring for life

## Oncology Sets

### VL ON401

ref. M46444001

**Approximate set length:**

270 cm

**Approximate priming volume:**

26 ml

**Main materials:**

PUR (tubing: diameter 3.0 x 4.1 mm)

PP (tubing: diameter 2.94 x 4.02 mm)

Silicone (tubing: diameter 3.41 x 5.11 mm)

**Advantages**

- Patient proximal access for emergency application
- Anti free-flow safety clamp
- Flow-Stop Cap
- PVC-free
- DEHP as plasticizer is not used
- Latex-free

**Packaging**

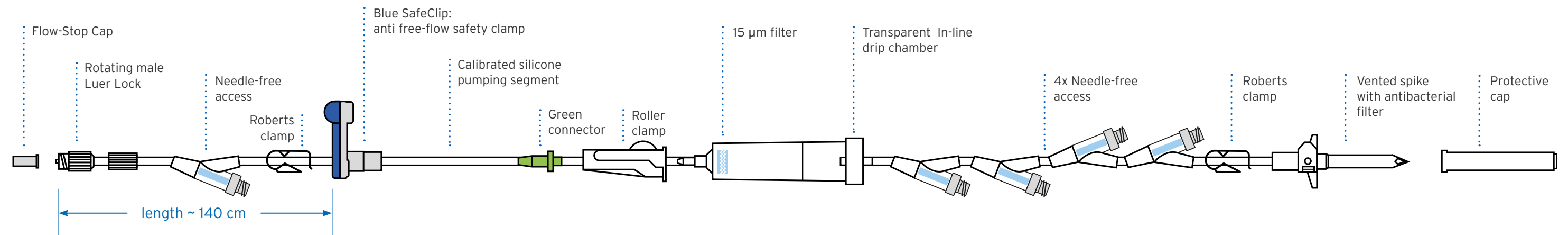
- Case quantity: 30 x 1

**Typical applications**

- Infusion of drugs / fluids
  - having no particular filtration requirements
  - available in bags or bottles
  - having no particular incompatibility
- Infusion of drugs not compatible with PVC
- Infusion of different drugs in the same set with use of Secondary Lines
- Manual primary / secondary mode with Volumat MC Agilia / Volumat MC Agilia VP MC / Exelia VP

**Not to be used for / in**

- Blood cells
- Light sensitive drugs (unless other precautions are taken to protect the drug against direct light)
- Needle-free access should not be used to connect a gravity line (unless it is protected by a back check valve)
- Automatic primary / secondary mode with Volumat MC Agilia / Volumat MC Agilia VP MC



Due to our policy of continuous product improvement, as well as changes in standards, the features described in this document may change. Please consult us for the most current information.



**FRESENIUS  
KABI**

caring for life

## Oncology Sets

### VL ON42

ref. M46444000S

#### Approximate set length:

270 cm

#### Approximate priming volume:

26 ml

#### Main materials:

PUR (tubing: diameter 3.0 x 4.1 mm)

PP (tubing: diameter 2.94 x 4.02 mm)

Silicone (tubing: diameter 3.41 x 5.11 mm)

#### Advantages

- Anti free-flow safety clamp
- Flow-Stop Cap
- PVC-free
- DEHP as plasticizer is not used
- Latex-free

#### Packaging

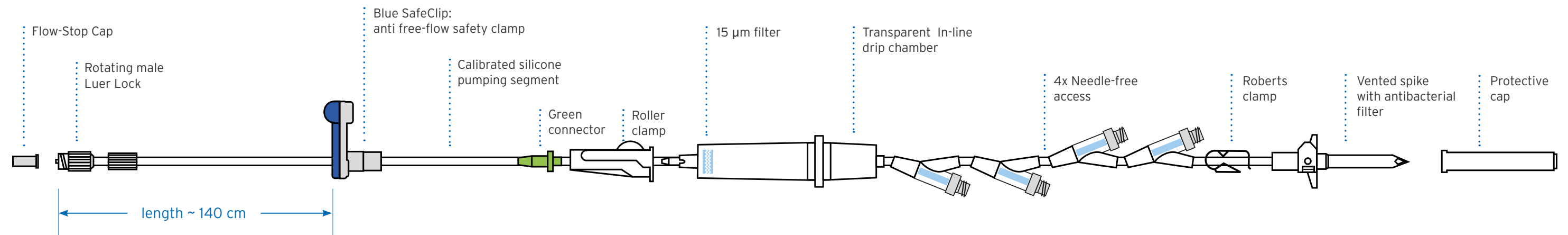
- Case quantity: 30 x 1

#### Typical applications

- Infusion of drugs / fluids
  - having no particular filtration requirements
  - available in bags or bottles
  - having no particular incompatibility
- Infusion of drugs not compatible with PVC
- Infusion of different drugs in the same set with use of Secondary Lines
- Manual primary / secondary mode with Volumat MC Agilia / Volumat MC Agilia VP MC / Exelia VP

#### Not to be used for / in

- Blood cells
- Light sensitive drugs (unless other precautions are taken to protect the drug against direct light)
- Needle-free access should not be used to connect a gravity line (unless it is protected by a back check valve)
- Automatic primary / secondary mode with Volumat MC Agilia / Volumat MC Agilia VP MC



Due to our policy of continuous product improvement, as well as changes in standards, the features described in this document may change. Please consult us for the most current information.



**FRESENIUS  
KABI**

caring for life

## Oncology Sets

### VL ON42 FX

ref. M46444051

**Approximate set length:**

270 cm

**Approximate priming volume:**

26 ml

**Main materials:**

PUR (tubing: diameter 3.0 x 4.1 mm)

PP (tubing: diameter 2.94 x 4.02 mm)

Silicone (tubing: diameter 3.41 x 5.11 mm)

**Advantages**

- Tight and secure connection with freeflex® / freeflex®+, ensuring a permanent connection avoiding spillages
- Patient proximal access for emergency application
- Anti free-flow safety clamp
- Flow-Stop Cap
- PVC-free
- DEHP as plasticizer is not used
- Latex-free

**Packaging**

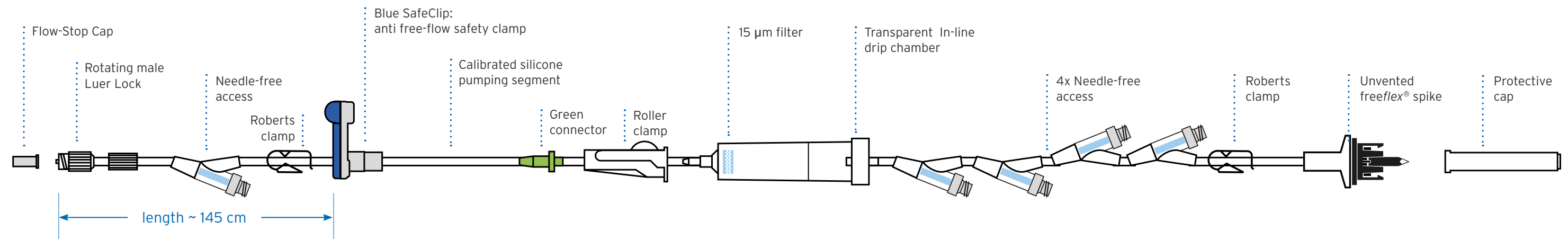
- Case quantity: 25 x 1

**Typical applications**

- Only use with Fresenius Kabi freeflex® / freeflex®+ Bags
- Infusion of drugs / fluids
  - having no particular filtration requirements
  - having no particular incompatibility
- Infusion of drugs not compatible with PVC
- Infusion of different drugs in the same set with use of Secondary Lines
- Manual primary / secondary mode with Volumat MC Agilia / Volumat MC Agilia VP MC / Exelia VP

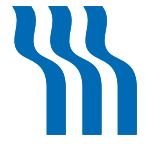
**Not to be used for / in**

- Bottles
- Standard bags
- Blood cells
- Light sensitive drugs (unless other precautions are taken to protect the drug against direct light)
- Needle-free access should not be used to connect a gravity line (unless it is protected by a one-way check valve)
- Automatic primary / secondary mode with Volumat MC Agilia / Volumat MC Agilia VP MC



Due to our policy of continuous product improvement, as well as changes in standards, the features described in this document may change. Please consult us for the most current information.





**FRESENIUS  
KABI**

caring for life

## Oncology Sets

### VL ON42 SC

ref. M46444061

**Approximate set length:**

270 cm

**Approximate priming volume:**

26 ml

**Main materials:**

PUR (tubing: diameter 3.0 x 4.1 mm)

PP (tubing: diameter 2.94 x 4.02 mm)

Silicone (tubing: diameter 3.41 x 5.11 mm)

**Advantages**

- Patient proximal access for emergency application
- Anti free-flow safety clamp
- Flow-Stop Cap
- PVC-free
- DEHP as plasticizer is not used
- Latex-free

**Packaging**

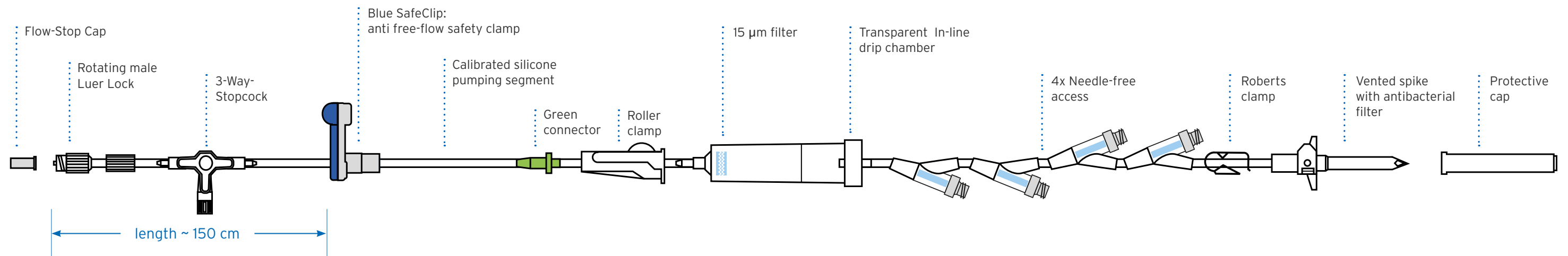
- Case quantity: 25 x 1

**Typical applications**

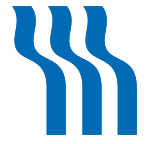
- Infusion of drugs / fluids
  - having no particular filtration requirements
  - available in bags or bottles
  - having no particular incompatibility
- Infusion of drugs not compatible with PVC
- Infusion of different drugs in the same set with use of Secondary Lines
- Manual primary / secondary mode with Volumat MC Agilia / Volumat MC Agilia VP MC / Exelia VP

**Not to be used for / in**

- Blood cells
- Light sensitive drugs (unless other precautions are taken to protect the drug against direct light)
- Needle-free access should not be used to connect a gravity line (unless it is protected by a back check valve)
- Automatic primary / secondary mode with Volumat MC Agilia / Volumat MC Agilia VP MC



Due to our policy of continuous product improvement, as well as changes in standards, the features described in this document may change. Please consult us for the most current information.



**FRESENIUS  
KABI**

caring for life

## Oncology Sets

### VL ON45

ref. M46446700

**Approximate set length:**

280 cm

**Approximate priming volume:**

34 ml

**Main materials:**

PVC (tubing: diameter 3.0 x 4.1 mm)

Silicone (tubing: diameter 3.41 x 5.11 mm)

**Advantages**

- Possible use with bags equipped with Luer Lock connector
- Anti free-flow safety clamp
- Flow-Stop Cap
- DEHP as plasticizer is not used
- Latex-free

**Packaging**

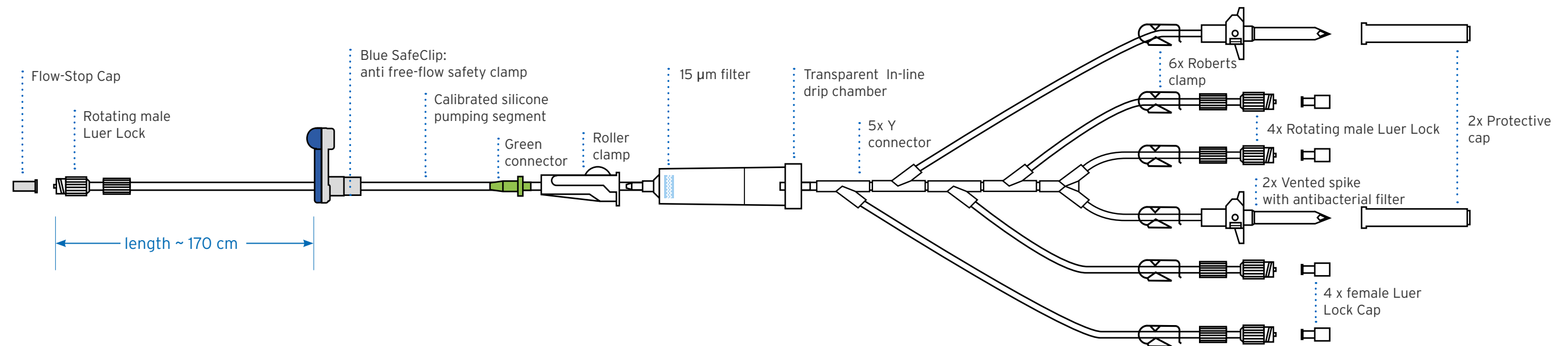
- Case quantity: 25 x 1

**Typical applications**

- Infusion of drugs / fluids
  - available in bags with female Luer Lock (side line)
  - available in bags or bottles
  - having no particular filtration requirements
  - having no particular incompatibility
- Infusion of different drugs in the same set with use of Secondary Lines
- Manual primary / secondary mode with Volumat MC Agilia / Volumat MC Agilia VP MC / Exelia VP
- Secondary Infusion

**Not to be used for / in**

- Blood cells
- Infusion of drugs known to be incompatible with PVC (e.g. trinitrine, isosorbide dinitrate, sodium nitroprussiate...)
- Light sensitive drugs (unless other precautions are taken to protect the drug against direct light)
- Automatic primary / secondary mode with Volumat MC Agilia / Volumat MC Agilia VP MC



Due to our policy of continuous product improvement, as well as changes in standards, the features described in this document may change. Please consult us for the most current information.



**FRESENIUS  
KABI**

caring for life

## 0.2 µm Filter

### VL ON70

ref. M46444600S

**Approximate set length:**

285 cm

**Approximate priming volume:**

25 ml

**Main materials:**

PUR (tubing: diameter 3.0 x 4.1 mm)

PP (tubing: diameter 2.94 x 4.02 mm)

Silicone (tubing: diameter 3.41 x 5.11 mm)

**Advantages**

- Provides additional protection against bacterial contamination
- Anti free-flow safety clamp
- Flow-Stop Cap
- PVC-free
- DEHP as plasticizer is not used
- Latex-free

**Packaging**

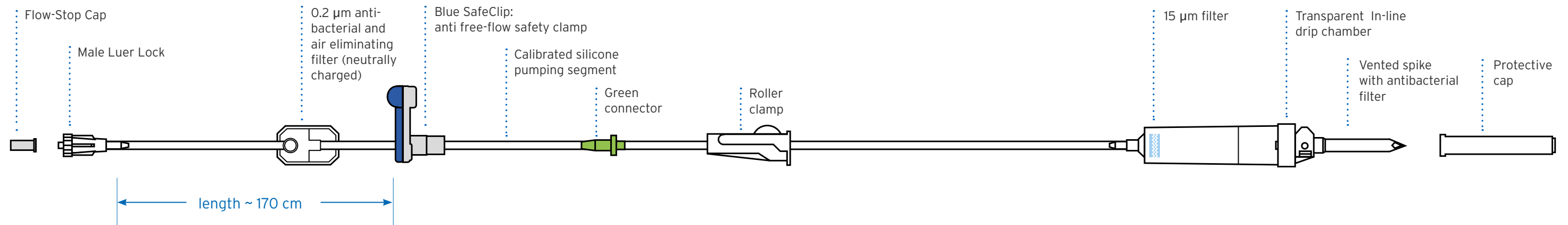
- Case quantity: 30 x 1

**Typical applications**

- Infusion of drugs requiring a 0.2 µm filter
- Infusion of drugs / fluids
  - available in bags or bottles
  - having no particular incompatibility
- Infusion of drugs not compatible with PVC

**Not to be used for / in**

- Blood cells
- Total parenteral nutrition and other lipid containing solutions
- Light sensitive drugs (unless other precautions are taken to protect the drug against direct light)
- Primary / secondary mode with Volumat MC Agilia / Volumat MC Agilia VP MC / Exelia VP



Due to our policy of continuous product improvement, as well as changes in standards, the features described in this document may change. Please consult us for the most current information.



**FRESENIUS  
KABI**

caring for life

## 0.2 µm Filter

### VL ON72

ref. M46444100S

#### Approximate set length:

270 cm

#### Approximate priming volume:

25 ml

#### Main materials:

PUR (tubing: diameter 3.0 x 4.1 mm)

PP (tubing: diameter 2.94 x 4.02 mm)

Silicone (tubing: diameter 3.41 x 5.11 mm)

#### Advantages

- Provides additional protection against bacterial contamination
- Patient proximal access for emergency application
- Anti free-flow safety clamp
- Flow-Stop Cap
- PVC-free
- DEHP as plasticizer is not used
- Latex-free

#### Packaging

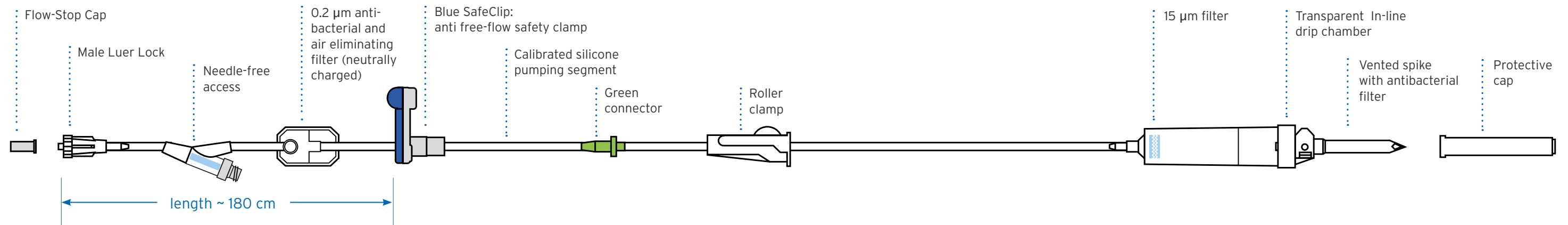
- Case quantity: 30 x 1

#### Typical applications

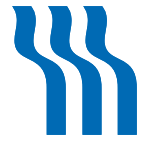
- Infusion of drugs requiring a 0.2 µm filter
- Infusion of drugs / fluids
  - available in bags or bottles
  - having no particular incompatibility
- Infusion of drugs not compatible with PVC

#### Not to be used for / in

- Blood cells
- Total parenteral nutrition and other lipid containing solutions
- Light sensitive drugs (unless other precautions are taken to protect the drug against direct light)
- Primary / secondary mode with Volumat MC Agilia / Exelia VP



Due to our policy of continuous product improvement, as well as changes in standards, the features described in this document may change. Please consult us for the most current information.



**FRESENIUS  
KABI**

caring for life

## Light Protected Sets

### VL ON90

ref. M46444900S

**Approximate set length:**

285 cm

**Approximate priming volume:**

25 ml

**Main materials:**

PUR (tubing: diameter 3.0 x 4.1 mm)

PP (tubing: diameter 2.94 x 4.02 mm)

Silicone (tubing: diameter 3.41 x 5.11 mm)

**Advantages**

- The line filters light in the UV range of 200 - 450 nm for light sensitive drugs
- Anti free-flow safety clamp
- Flow-Stop Cap
- PVC-free
- DEHP as plasticizer is not used
- Latex-free

**Packaging**

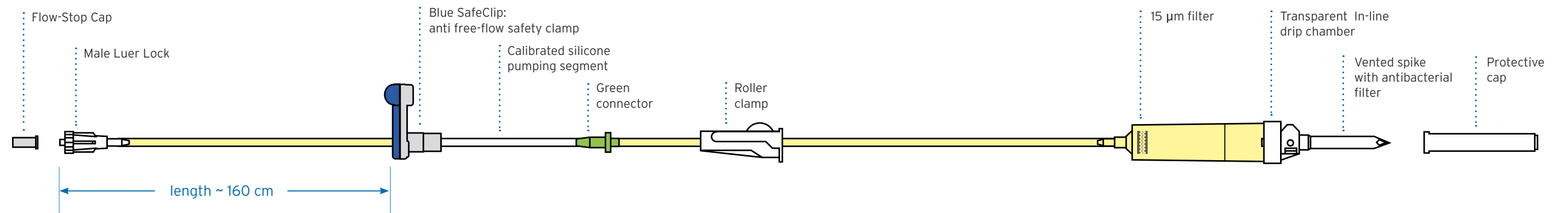
- Case quantity: 30 x 1

**Typical applications**

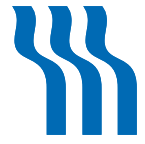
- Infusion of any drugs / fluids including light-sensitive drugs (including UV-sensitive drugs)
- Infusion of drugs / fluids
  - having no particular filtration requirements
  - available in bags or bottles
  - having no particular incompatibility
- Infusion of drugs not compatible with PVC

**Not to be used for / in**

- Blood cells
- Primary / secondary mode with Volumat MC Agilia / Volumat MC Agilia VP MC / Exelia VP



Due to our policy of continuous product improvement, as well as changes in standards, the features described in this document may change. Please consult us for the most current information.



**FRESENIUS  
KABI**

caring for life

## Light Protected Sets

### VL ON91

ref. M46444901

#### Approximate set length:

255 cm

#### Approximate priming volume:

24 ml

#### Main materials:

PUR (tubing: diameter 3.0 x 4.1 mm)

PP (tubing: diameter 2.94 x 4.02 mm)

Silicone (tubing: diameter 3.41 x 5.11 mm)

#### Advantages

- The line filters light in the UV range of 200 - 450 nm for light sensitive drugs
- Patient proximal access for emergency application
- Anti free-flow safety clamp
- Flow-Stop Cap
- PVC-free
- DEHP as plasticizer is not used
- Latex-free

#### Packaging

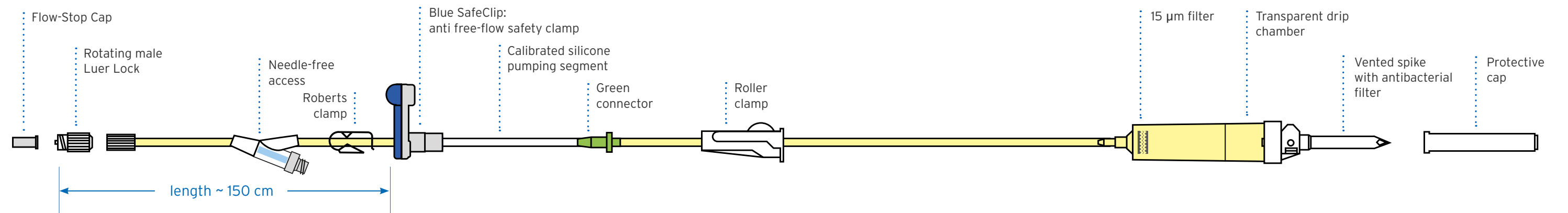
- Case quantity: 30 x 1

#### Typical applications

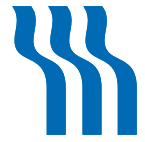
- Infusion of any drugs / fluids including light-sensitive drugs (including UV-sensitive drugs)
- Infusion of drugs / fluids
  - having no particular filtration requirements
  - available in bags or bottles
  - having no particular incompatibility
- Infusion of drugs not compatible with PVC

#### Not to be used for / in

- Blood cells
- Primary / secondary mode with Volumat MC Agilia / Volumat MC Agilia VP MC / Exelia VP



Due to our policy of continuous product improvement, as well as changes in standards, the features described in this document may change. Please consult us for the most current information.



**FRESENIUS  
KABI**

caring for life

## VL ON22 OP

ref. M46446000S

### Approximate set length:

300 cm

### Approximate priming volume:

26 ml

### Main materials:

PUR (tubing: diameter 3.0 x 4.1 mm)

PP (tubing: diameter 2.94 x 4.02 mm)

Silicone (tubing: diameter 3.41 x 5.11 mm)

### Advantages

- The line filters light in the UV range of 200 - 450 nm for light sensitive drugs
- Anti free-flow safety clamp
- Flow-Stop Cap
- PVC-free
- DEHP as plasticizer is not used
- Latex-free

### Packaging

- Case quantity: 30 x 1

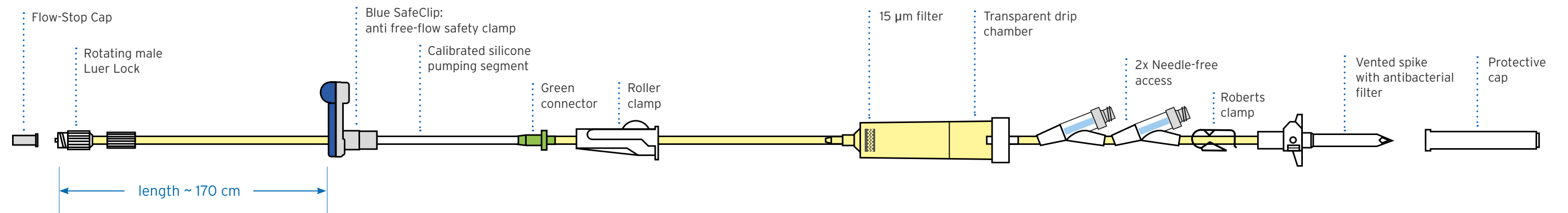
### Typical applications

- Infusion of any drugs / fluids including light sensitive drugs (including UV-sensitive drugs)
- Infusion of drugs / fluids
  - available in bags or bottles
  - having no particular filtration requirements
  - having no particular incompatibility
- Infusion of drugs not compatible with PVC
- Infusion of different drugs in the same set with use of Secondary Lines
- Manual primary / secondary mode with Volumat MC Agilia / Volumat MC Agilia VP MC / Exelia VP
- Secondary Infusion

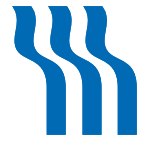
### Not to be used for / in

- Blood cells
- Needle-free access should not be used to connect a gravity line (unless it is protected by a one-way check valve)
- Automatic primary / secondary mode with Volumat MC Agilia / Volumat MC Agilia VP MC

## Light Protected Sets



Due to our policy of continuous product improvement, as well as changes in standards, the features described in this document may change. Please consult us for the most current information.



**FRESENIUS  
KABI**

caring for life

## VL ON22 OP NF

ref. M46444230S

### Approximate set length:

265 cm

### Approximate priming volume:

24 ml

### Main materials:

PUR (tubing: diameter 3.0 x 4.1 mm)

PP (tubing: diameter 2.94 x 4.02 mm)

Silicone (tubing: diameter 3.41 x 5.11 mm)

### Advantages

- The line filters light in the UV range of 200 - 450 nm for light sensitive drugs
- Patient proximal access for emergency application
- Anti free-flow safety clamp
- Flow-Stop Cap
- PVC-free
- DEHP as plasticizer is not used
- Latex-free

### Packaging

- Case quantity: 30 x 1

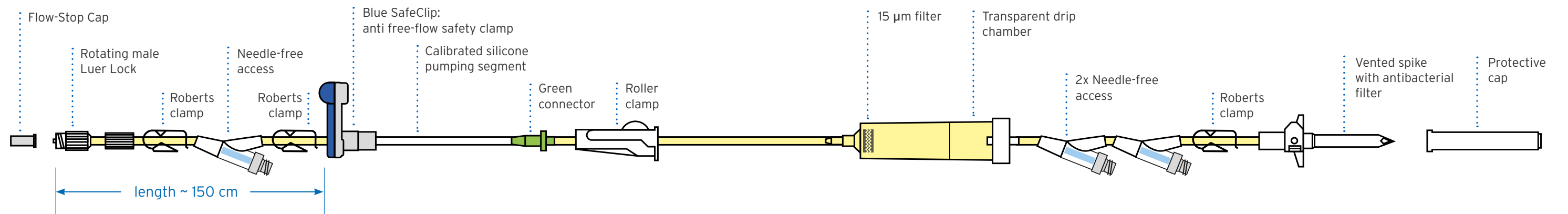
### Typical applications

- Infusion of any drugs / fluids including light-sensitive drugs (including UV-sensitive drugs)
- Infusion of drugs / fluids
  - having no particular filtration requirements
  - available in bags or bottles
  - having no particular incompatibility
- Infusion of drugs not compatible with PVC
- Infusion of different drugs in the same set with use of Secondary Lines
- Manual primary / secondary mode with Volumat MC Agilia / Volumat MC Agilia VP MC / Exelia VP

### Not to be used for / in

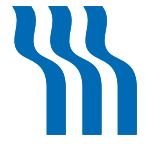
- Blood cells
- Needle-free access should not be used to connect a gravity line (unless it is protected by a back check valve)
- Automatic primary / secondary mode with Volumat MC Agilia / Volumat MC Agilia VP MC

## Light Protected Sets



Due to our policy of continuous product improvement, as well as changes in standards, the features described in this document may change. Please consult us for the most current information.





**FRESENIUS  
KABI**

caring for life

## Light Protected Sets

### VL ON42 OP

ref. M46445801

#### Approximate set length:

270 cm

#### Approximate priming volume:

26 ml

#### Main materials:

PUR (tubing: diameter 3.0 x 4.1 mm)

PP (tubing: diameter 2.94 x 4.02 mm)

Silicone (tubing: diameter 3.41 x 5.11 mm)

#### Advantages

- The line filters light in the UV range of 200 - 450 nm for light sensitive drugs
- Anti free-flow safety clamp
- Flow-Stop Cap
- PVC-free
- DEHP as plasticizer is not used
- Latex-free

#### Packaging

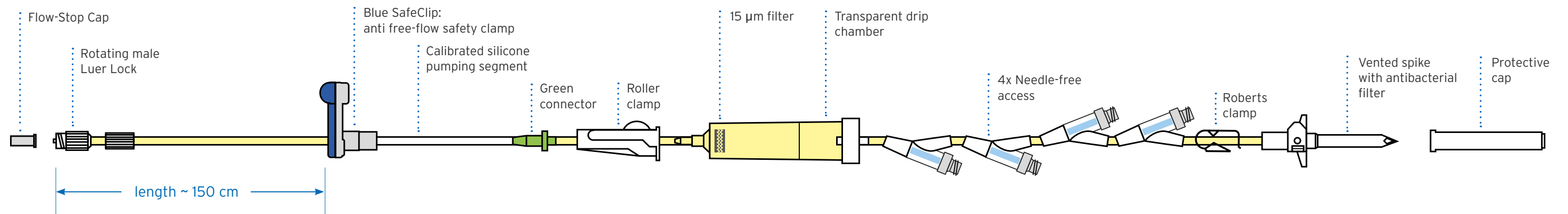
- Case quantity: 25 x 1

#### Typical applications

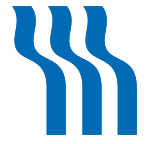
- Infusion of any drugs / fluids including light-sensitive drugs (including UV-sensitive drugs)
- Infusion of drugs / fluids
  - having no particular filtration requirements
  - available in bags or bottles
  - having no particular incompatibility
- Infusion of drugs not compatible with PVC
- Infusion of different drugs in the same set with use of Secondary Lines
- Manual primary / secondary mode with Volumat MC Agilia / Volumat MC Agilia VP MC / Exelia VP

#### Not to be used for / in

- Blood cells
- Needle-free access should not be used to connect a gravity line (unless it is protected by a back check valve)
- Automatic primary / secondary mode with Volumat MC Agilia / Volumat MC Agilia VP MC



Due to our policy of continuous product improvement, as well as changes in standards, the features described in this document may change. Please consult us for the most current information.



**FRESENIUS  
KABI**

caring for life

## Light Protected Sets

### VL ON42 OP NF

ref. M46444080S

#### Approximate set length:

275 cm

#### Approximate priming volume:

25 ml

#### Main materials:

PUR (tubing: diameter 3.0 x 4.1 mm)

PP (tubing: diameter 2.94 x 4.02 mm)

Silicone (tubing: diameter 3.41 x 5.11 mm)

#### Advantages

- The line filters light in the UV range of 200 - 450 nm for light sensitive drugs
- Patient proximal access for emergency application
- Anti free-flow safety clamp
- Flow-Stop Cap
- PVC-free
- DEHP as plasticizer is not used
- Latex-free

#### Packaging

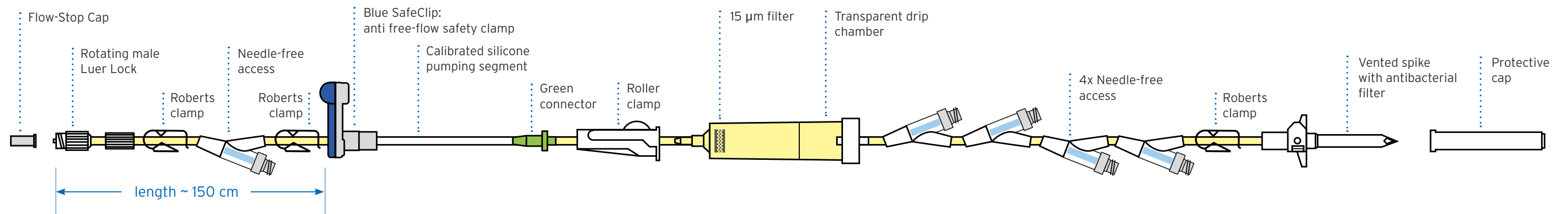
- Case quantity: 25 x 1

#### Typical applications

- Infusion of any drugs / fluids including light-sensitive drugs (including UV-sensitive drugs)
- Infusion of drugs / fluids
  - having no particular filtration requirements
  - available in bags or bottles
  - having no particular incompatibility
- Infusion of drugs not compatible with PVC
- Infusion of different drugs in the same set with use of Secondary Lines
- Manual primary / secondary mode with Volumat MC Agilia / Volumat MC Agilia VP MC / Exelia VP

#### Not to be used for / in

- Blood cells
- Needle-free access should not be used to connect a gravity line (unless it is protected by a back check valve)
- Automatic primary / secondary mode with Volumat MC Agilia / Volumat MC Agilia VP MC



Due to our policy of continuous product improvement, as well as changes in standards, the features described in this document may change. Please consult us for the most current information.



**FRESENIUS  
KABI**

caring for life

## Light Protected Sets

### VL ON42 OP SC

ref. M46444071

**Approximate set length:**

270 cm

**Approximate priming volume:**

26 ml

**Main materials:**

PUR (tubing: diameter 3.0 x 4.1 mm)

PP (tubing: diameter 2.94 x 4.02 mm)

Silicone (tubing: diameter 3.41 x 5.11 mm)

**Advantages**

- The line filters light in the UV range of 200 - 450 nm for light sensitive drugs
- Patient proximal access for emergency application
- Anti free-flow safety clamp
- Flow-Stop Cap
- PVC-free
- DEHP as plasticizer is not used
- Latex-free

**Packaging**

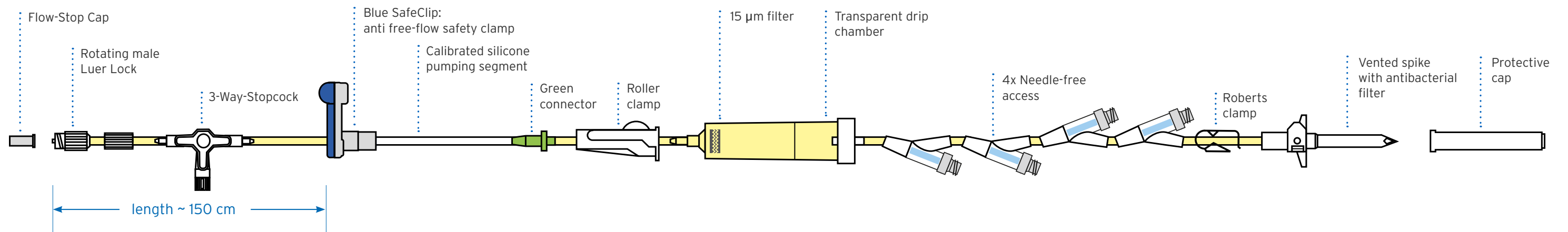
- Case quantity: 25 x 1

**Typical applications**

- Infusion of any drugs / fluids including light-sensitive drugs (including UV-sensitive drugs)
- Infusion of drugs / fluids
  - having no particular filtration requirements
  - available in bags or bottles
  - having no particular incompatibility
- Infusion of drugs not compatible with PVC
- Infusion of different drugs in the same set with use of Secondary Lines
- Manual primary / secondary mode with Volumat MC Agilia / Volumat MC Agilia VP MC / Exelia VP

**Not to be used for / in**

- Blood cells
- Needle-free access should not be used to connect a gravity line (unless it is protected by a back check valve)
- Automatic primary / secondary mode with Volumat MC Agilia / Volumat MC Agilia VP MC



Due to our policy of continuous product improvement, as well as changes in standards, the features described in this document may change. Please consult us for the most current information.



**FRESENIUS  
KABI**

caring for life

## Filter Lines 200 µm Filter

### VL TROO

ref. M46442800S

**Approximate set length:**

285 cm

**Approximate priming volume:**

25 ml

**Main materials:**

PVC (tubing: diameter 3.0 x 4.1 mm)

Silicone (tubing: diameter 3.41 x 5.11 mm)

**Advantages**

- 200 µm filter
- Anti free-flow safety clamp
- Flow-Stop Cap
- DEHP as plasticizer is not used
- Latex-free

**Packaging**

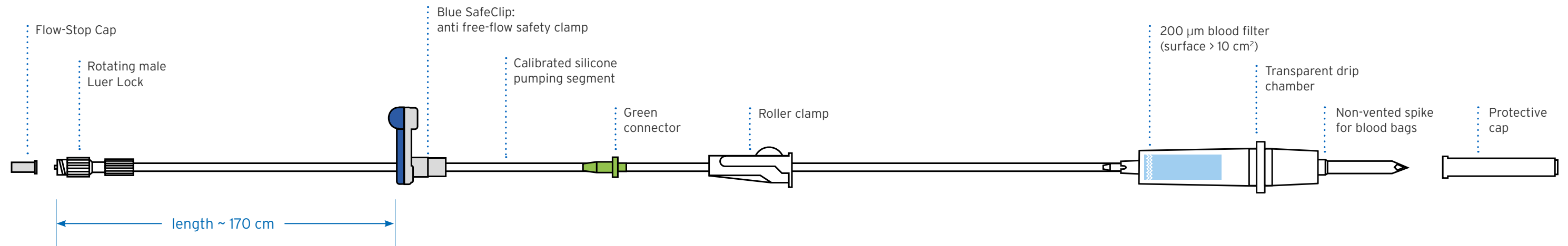
- Case quantity: 30 x 1

**Typical applications**

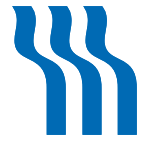
- Transfusion of blood products available in bags

**Not to be used for / in**

- Bottles
- Infusion of drugs known to be incompatible with PVC (e.g. trinitrine, isosorbide dinitrate, sodium nitroprussiate...)
- Light sensitive drugs (unless other precautions are taken to protect the drug against direct light)
- Primary / secondary mode with Volumat MC Agilia / Agilia VP MC / Exelia VP



Due to our policy of continuous product improvement, as well as changes in standards, the features described in this document may change. Please consult us for the most current information.



**FRESENIUS  
KABI**

caring for life

## VL TR12

ref. M46442700S

### Approximate set length:

270 cm

### Approximate priming volume:

25 ml

### Main materials:

PVC (tubing: diameter 3.0 x 4.1 mm)

Silicone (tubing: diameter 3.41 x 5.11 mm)

### Advantages

- 200 µm filter
- Patient proximal access for emergency application
- Anti free-flow safety clamp
- Flow-Stop Cap
- DEHP as plasticizer is not used
- Latex-free

### Packaging

- Case quantity: 30 x 1

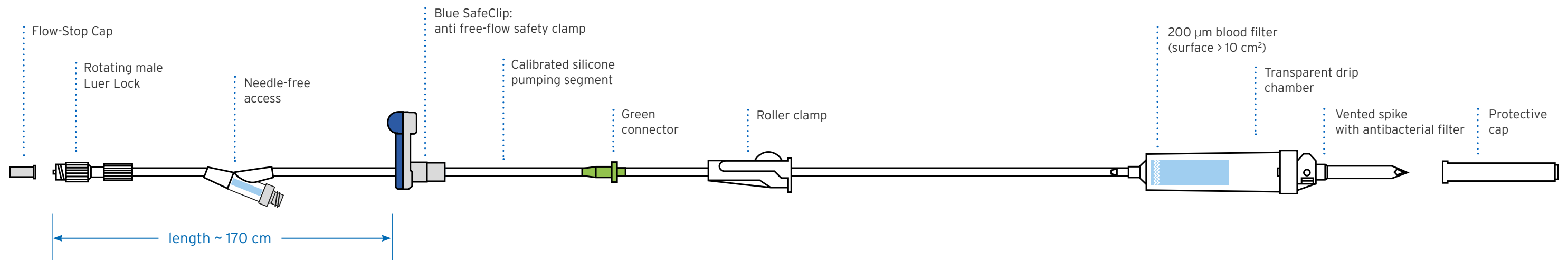
### Typical applications

- Transfusion of blood products available in bags

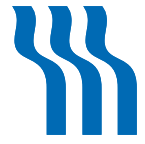
### Not to be used for / in

- Infusion of drugs known to be incompatible with PVC (e.g. trinitrine, isosorbide dinitrate, sodium nitroprussiate...)
- Light sensitive drugs (unless other precautions are taken to protect the drug against direct light)
- Needle-free access should not be used to connect a gravity line (unless it is protected by a back check valve)
- Primary / secondary mode with Volumat MC Agilia / Agilia VP MC / Exelia VP

## Filter Lines 200 µm Filter



Due to our policy of continuous product improvement, as well as changes in standards, the features described in this document may change. Please consult us for the most current information.



**FRESENIUS  
KABI**

caring for life

## Filter Lines 200 µm Filter

### VL TR21

ref. M46446200S

#### Approximate set length:

290 cm

#### Approximate priming volume:

25 ml

#### Main materials:

PVC (tubing: diameter 3.0 x 4.1 mm)

Silicone (tubing: diameter 3.41 x 5.11 mm)

#### Advantages

- 200 µm filter
- Anti free-flow safety clamp
- Flow-Stop Cap
- DEHP as plasticizer is not used
- Latex-free

#### Packaging

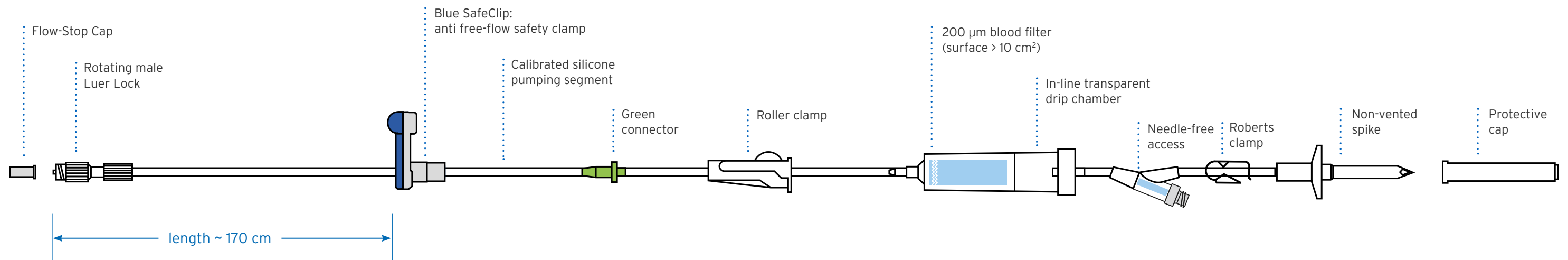
- Case quantity: 30 x 1

#### Typical applications

- Infusion of different drugs in the same set with use of Secondary Lines
- Manual primary / secondary mode with Volumat MC Agilia / Agilia VP MC / Exelia VP
- Transfusion of blood products available in bags

#### Not to be used for / in

- Bottles
- Infusion of drugs known to be incompatible with PVC (e.g. trinitrine, isosorbide dinitrate, sodium nitroprussiate...)
- Light sensitive drugs (unless other precautions are taken to protect the drug against direct light)
- Needle-free access should not be used to connect a gravity line (unless it is protected by a back check valve)
- Automatic primary / secondary mode with Volumat MC Agilia / Agilia VP MC



Due to our policy of continuous product improvement, as well as changes in standards, the features described in this document may change. Please consult us for the most current information.



**FRESENIUS  
KABI**

caring for life

## Filter Lines 200 µm Filter

### VL TR22

ref. M46443000S

#### Approximate set length:

285 cm

#### Approximate priming volume:

26 ml

#### Main materials:

PVC (tubing: diameter 3.0 x 4.1 mm)

Silicone (tubing: diameter 3.41 x 5.11 mm)

#### Advantages

- 200 µm filter
- Patient proximal access for emergency application
- Anti free-flow safety clamp
- Flow-Stop Cap
- DEHP as plasticizer is not used
- Latex-free

#### Packaging

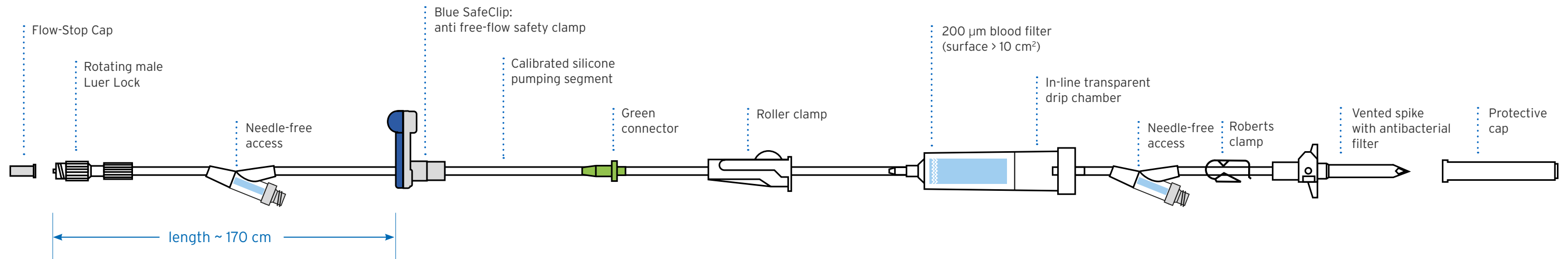
- Case quantity: 30 x 1

#### Typical applications

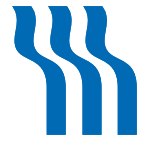
- Infusion of different drugs in the same set with use of Secondary Lines
- Manual primary / secondary mode with Volumat MC Agilia / Agilia VP MC / Exelia VP
- Transfusion of blood products available in bags

#### Not to be used for / in

- Infusion of drugs known to be incompatible with PVC (e.g. trinitrine, isosorbide dinitrate, sodium nitroprussiate...)
- Light sensitive drugs (unless other precautions are taken to protect the drug against direct light)
- Needle-free access should not be used to connect a gravity line (unless it is protected by a back check valve)
- Automatic primary / secondary mode with Volumat MC Agilia / Agilia VP MC



Due to our policy of continuous product improvement, as well as changes in standards, the features described in this document may change. Please consult us for the most current information.



**FRESENIUS  
KABI**

caring for life

## VL TR42

ref. M46442900S

### Approximate set length:

270 cm

### Approximate priming volume:

25 ml

### Main materials:

PVC (tubing: diameter 3.0 x 4.1 mm)

Silicone (tubing: diameter 3.41 x 5.11 mm)

### Advantages

- 200 µm filter
- One-way check valve
- Patient proximal access for emergency application
- Anti free-flow safety clamp
- Flow-Stop Cap
- DEHP as plasticizer is not used
- Latex-free

### Packaging

- Case quantity: 30 x 1

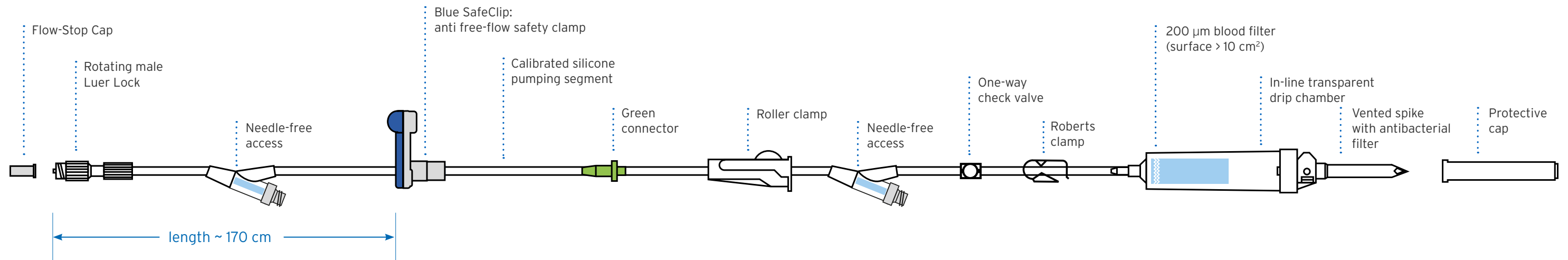
### Typical applications

- Infusion of different drugs in the same set with use of Secondary Lines
- Manual primary / secondary mode with Volumat MC Agilia / Exelia VP
- Automatic primary / secondary mode with Volumat MC Agilia / Agilia VP MC
- Transfusion of blood products available in bags

### Not to be used for / in

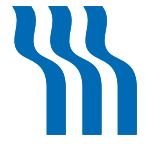
- Infusion of drugs known to be incompatible with PVC (e.g. trinitrine, isosorbide dinitrate, sodium nitroprussiate...)
- Light sensitive drugs (unless other precautions are taken to protect the drug against direct light)
- Needle-free access should not be used to connect a gravity line (unless it is protected by a back check valve)

## Filter Lines 200 µm Filter



Due to our policy of continuous product improvement, as well as changes in standards, the features described in this document may change. Please consult us for the most current information.





**FRESENIUS  
KABI**

caring for life

## Filter Lines 200 µm Filter

### VL TR43

ref. M46444500S

#### Approximate set length:

270 cm

#### Approximate priming volume:

25 ml

#### Main materials:

PVC (tubing: diameter 3.0 x 4.1 mm)

Silicone (tubing: diameter 3.41 x 5.11 mm)

#### Advantages

- 200 µm filter
- Patient proximal access for emergency application
- Anti free-flow safety clamp
- Flow-Stop Cap
- DEHP as plasticizer is not used
- Latex-free

#### Packaging

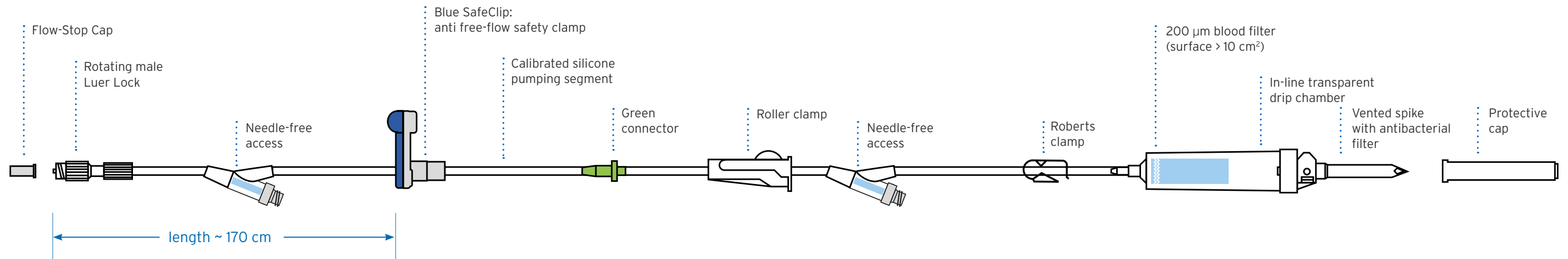
- Case quantity: 30 x 1

#### Typical applications

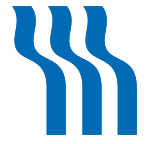
- Infusion of different drugs in the same set with use of Secondary Lines
- Manual primary / secondary mode with Volumat MC Agilia / Agilia VP MC / Exelia VP
- Transfusion of blood products available in bags

#### Not to be used for / in

- Infusion of drugs known to be incompatible with PVC (e.g. trinitrine, isosorbide dinitrate, sodium nitroprussiate...)
- Light sensitive drugs (unless other precautions are taken to protect the drug against direct light)
- Needle-free access should not be used to connect a gravity line (unless it is protected by a back check valve)
- Automatic primary / secondary mode with Volumat MC Agilia / Agilia VP MC



Due to our policy of continuous product improvement, as well as changes in standards, the features described in this document may change. Please consult us for the most current information.



**FRESENIUS  
KABI**

caring for life

**Microbore**

## VL PA02

ref. M46442200S

### Approximate set length:

180 cm

### Approximate priming volume:

16 ml

### Main materials:

PVC (tubing: diameter 2.5 x 4.1 mm)

Silicone (tubing: diameter 3.41 x 5.11 mm)

### Advantages

- Limited priming volume 60 drops / ml
- Patient proximal access for emergency application
- Anti free-flow safety clamp
- Flow-Stop Cap
- DEHP as plasticizer is not used
- Latex-free

### Packaging

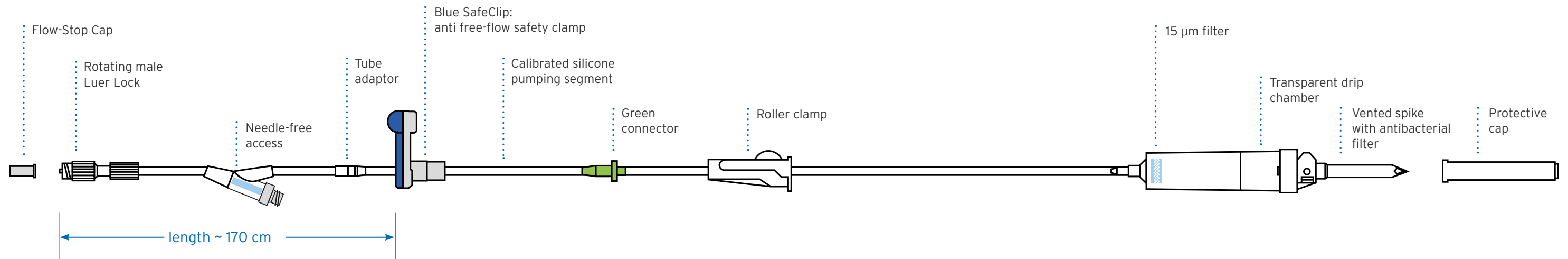
- Case quantity: 30 x 1

### Typical applications

- Infusion of drugs / fluids
  - having no particular filtration requirements
  - available in bags or bottles
  - having no particular incompatibility

### Not to be used for / in

- Blood cells
- Infusion of drugs known to be incompatible with PVC (e.g. trinitrine, isosorbide dinitrate, sodium nitroprussiate...)
- Light sensitive drugs (unless other precautions are taken to protect the drug against direct light)
- Needle-free access should not be used to connect a gravity line (unless it is protected by a back check valve)
- Primary / secondary mode with Volumat MC Agilia / Agilia VP MC / Exelia VP
- Not compatible with the optional drop sensor



Due to our policy of continuous product improvement, as well as changes in standards, the features described in this document may change. Please consult us for the most current information.



**FRESENIUS  
KABI**

caring for life

## Burette Sets

### VL PA92

ref. M46445200S

**Approximate set length:**

300 cm

**Approximate priming volume  
(without burette's volume):**

25 ml

**Main materials:**

PVC (tubing: diameter 3.0 x 4.1 mm)

Silicone (tubing: diameter 3.41 x 5.11 mm)

**Advantages**

- Allows the infusion of a precisely known volume via 150 ml graduated burette
- Allows the mixing of different fluids / drugs in the burette
- 20 drops / ml
- Patient proximal access for emergency application
- Anti free-flow safety clamp
- Flow-Stop Cap
- DEHP as plasticizer is not used
- Latex-free

**Packaging**

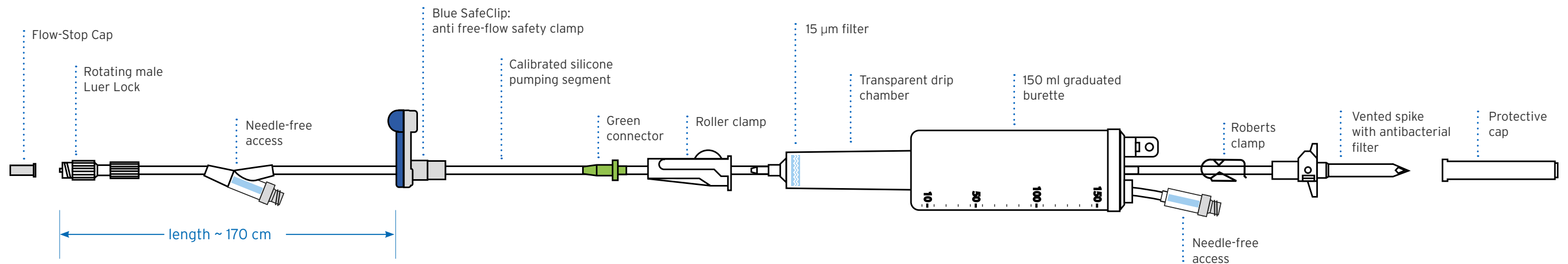
- Case quantity: 10 x 1

**Typical applications**

- Infusion of a precise volume out of a bag or bottle
- Mixing and adding of drugs into the burette
- Infusion of drugs / fluids
  - having no particular filtration requirements
  - available in bags or bottles
  - having no particular incompatibility

**Not to be used for / in**

- Blood cells
- Infusion of drugs known to be incompatible with PVC (e.g. trinitrine, isosorbide dinitrate, sodium nitroprussiate...)
- Light sensitive drugs (unless other precautions are taken to protect the drug against direct light)
- Needle-free access should not be used to connect a gravity line (unless it is protected by a back check valve)
- Primary / secondary mode with Volumat MC Agilia / Agilia VP MC / Exelia VP
- Not compatible with the optional drop sensor



Due to our policy of continuous product improvement, as well as changes in standards, the features described in this document may change. Please consult us for the most current information.



**FRESENIUS  
KABI**

caring for life

## Burette Sets

### VL PA93

ref. M46443800S

#### Approximate set length:

300 cm

#### Approximate priming volume (without burette's volume):

25 ml

#### Main materials:

PVC (tubing: diameter 3.0 x 4.1 mm)

Silicone (tubing: diameter 3.41 x 5.11 mm)

#### Advantages

- Allows the infusion of a precisely known volume via 150 ml graduated burette
- Allows the mixing of different fluids / drugs in the burette
- 20 drops / ml
- Patient proximal access for emergency application
- Anti free-flow safety clamp
- Flow-Stop Cap
- DEHP as plasticizer is not used
- Latex-free

#### Packaging

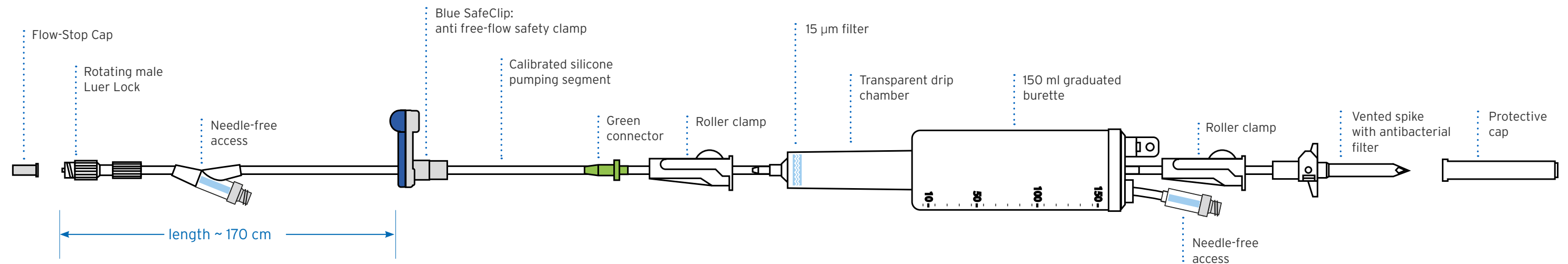
- Case quantity: 10 x 1

#### Typical applications

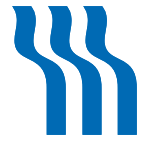
- Infusion of a precise volume out of a bag or bottle
- Mixing and adding of drugs into the burette
- Infusion of drugs / fluids
  - having no particular filtration requirements
  - available in bags or bottles
  - having no particular incompatibility

#### Not to be used for / in

- Blood cells
- Infusion of drugs known to be incompatible with PVC (e.g. trinitrine, isosorbide dinitrate, sodium nitroprussiate...)
- Light sensitive drugs (unless other precautions are taken to protect the drug against direct light)
- Needle-free access should not be used to connect a gravity line (unless it is protected by a back check valve)
- Primary / secondary mode with Volumat MC Agilia / Agilia VP MC / Exelia VP
- Not compatible with the optional drop sensor



Due to our policy of continuous product improvement, as well as changes in standards, the features described in this document may change. Please consult us for the most current information.



**FRESENIUS  
KABI**

caring for life

## Burette Sets

### VL PA94

ref. M46445300S

#### Approximate set length:

300 cm

#### Approximate priming volume (without burette's volume):

25 ml

#### Main materials:

PVC (tubing: diameter 3.0 x 4.1 mm)

Silicone (tubing: diameter 3.41 x 5.11 mm)

#### Advantages

- Allows the infusion of a precisely known volume via 150 ml graduated burette with swimmer valve
- Allows the mixing of different fluids / drugs in the burette
- 60 drops / ml
- Patient proximal access for emergency application
- Anti free-flow safety clamp
- Flow-Stop Cap
- DEHP as plasticizer is not used
- Latex-free

#### Packaging

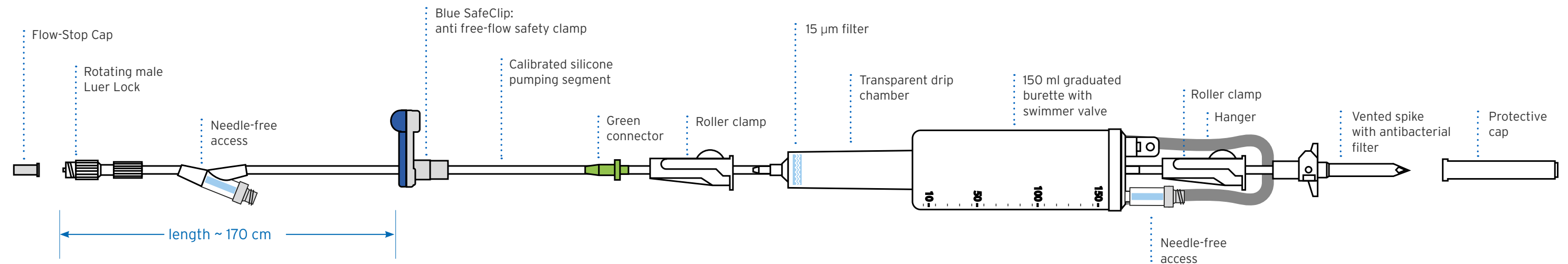
- Case quantity: 10 x 1

#### Typical applications

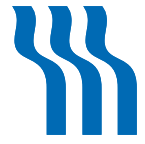
- Infusion of a precise volume out of a bag or bottle
- Mixing and adding of drugs into the burette
- Infusion of drugs / fluids
  - having no particular filtration requirements
  - available in bags or bottles
  - having no particular incompatibility

#### Not to be used for / in

- Blood cells
- Infusion of drugs known to be incompatible with PVC (e.g. trinitrine, isosorbide dinitrate, sodium nitroprussiate...)
- Light sensitive drugs (unless other precautions are taken to protect the drug against direct light)
- Needle-free access. Should not be used to connect a gravity line (unless it is protected by a back check valve)
- Primary / secondary mode with Volumat MC Agilia / Agilia VP MC / Exelia VP
- Not compatible with the optional drop sensor



Due to our policy of continuous product improvement, as well as changes in standards, the features described in this document may change. Please consult us for the most current information.



**FRESENIUS  
KABI**

caring for life

## VL PNOO

ref. M46444300S

### Approximate set length:

285 cm

### Approximate priming volume:

26 ml

### Main materials:

PVC (tubing: diameter 3.0 x 4.1 mm)

Silicone (tubing: diameter 3.41 x 5.11 mm)

### Advantages

- Provides additional protection against bacterial contamination
- Anti free-flow safety clamp
- Flow-Stop Cap
- DEHP as plasticizer is not used
- Latex-free

### Packaging

- Case quantity: 30 x 1

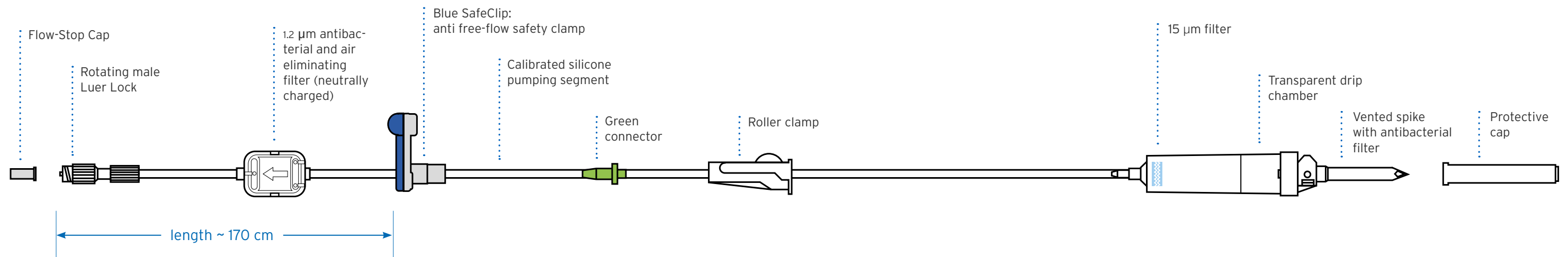
### Typical applications

- Infusion of drugs / fluids
  - available in bags or bottles (main line)
  - having no particular incompatibility
- Infusion of drugs requiring a 1.2 µm filter
- Can be used for parenteral nutrition

### Not to be used for / in

- Blood cells
- Infusion of drugs known to be incompatible with PVC (e.g. trinitrine, isosorbide dinitrate, sodium nitroprussiate...)
- Light sensitive drugs (unless other precautions are taken to protect the drug against direct light)
- Primary / secondary mode with Volumat MC Agilia / Agilia VP MC / Exelia VP

## Filter Lines 1.2 µm Filter



Due to our policy of continuous product improvement, as well as changes in standards, the features described in this document may change. Please consult us for the most current information.



**FRESENIUS  
KABI**

caring for life

## VL PN02

ref. M46444400S

### Approximate set length:

290 cm

### Approximate priming volume:

25 ml

### Main materials:

PVC (tubing: diameter 3.0 x 4.1 mm)

Silicone (tubing: diameter 3.41 x 5.11 mm)

### Advantages

- Provides additional protection against bacterial contamination
- Patient proximal access for emergency application
- Anti free-flow safety clamp
- Flow-Stop Cap
- DEHP as plasticizer is not used
- Latex-free

### Packaging

- Case quantity: 30 x 1

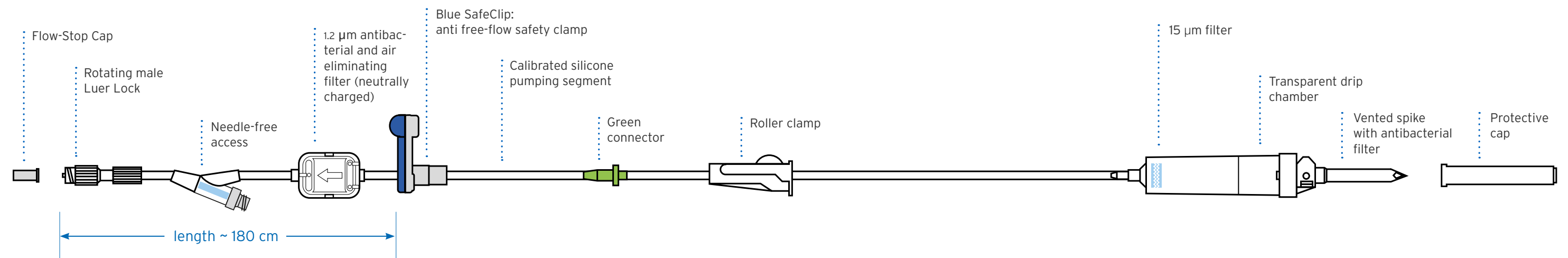
### Typical applications

- Infusion of drugs / fluids
  - available in bags or bottles (main line)
  - having no particular incompatibility
- Infusion of drugs requiring a 1.2 µm filter
- Can be used for parenteral nutrition

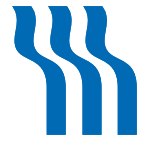
### Not to be used for / in

- Blood cells
- Infusion of drugs known to be incompatible with PVC (e.g. trinitrine, isosorbide dinitrate, sodium nitroprussiate...)
- Light sensitive drugs (unless other precautions are taken to protect the drug against direct light)
- Primary / secondary mode with Volumat MC Agilia / Agilia VP MC / Exelia VP

## Filter Lines 1.2 µm Filter



Due to our policy of continuous product improvement, as well as changes in standards, the features described in this document may change. Please consult us for the most current information.



**FRESENIUS  
KABI**

caring for life

## Special Application

### VL PN20

ref. M46443700S

#### Approximate set length:

280 cm

#### Approximate priming volume:

26 ml

#### Main materials:

PVC (tubing: diameter 3.0 x 4.1 mm)

Silicone (tubing: diameter 3.41 x 5.11 mm)

#### Advantages

- Possible use with bags equipped with Luer Lock connector
- Anti free-flow safety clamp
- Flow-Stop Cap
- DEHP as plasticizer is not used
- Latex-free

#### Packaging

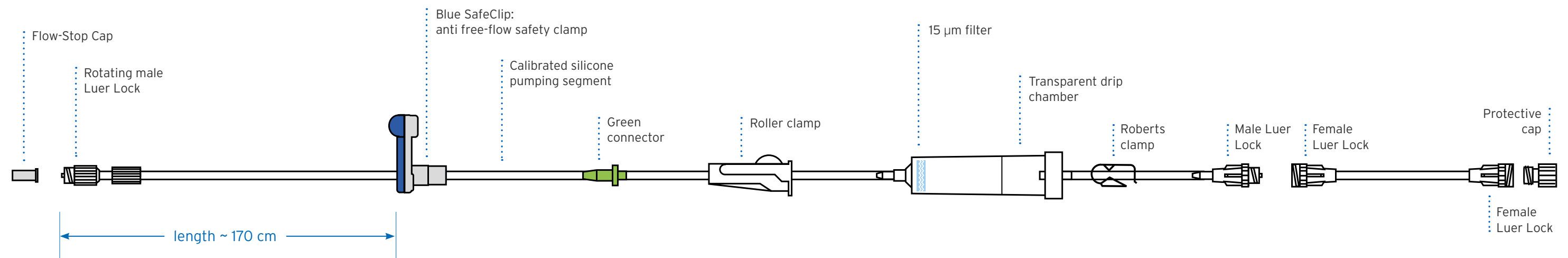
- Case quantity: 30 x 1

#### Typical applications

- Infusion of drugs presented in bags equipped with a Luer Lock connector (male or female)
- Infusion of drugs / fluids
  - having no particular filtration requirements
  - having no particular incompatibility
- Can be used for parenteral nutrition

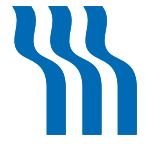
#### Not to be used for / in

- Bottles
- Standard bags
- Blood cells
- Infusion of drugs known to be incompatible with PVC (e.g. trinitrine, isosorbide dinitrate, sodium nitroprussiate...)
- Light sensitive drugs (unless other precautions are taken to protect the drug against direct light)
- Primary / secondary mode with Volumat MC Agilia / Agilia VP MC / Exelia VP



Due to our policy of continuous product improvement, as well as changes in standards, the features described in this document may change. Please consult us for the most current information.





**FRESENIUS  
KABI**

caring for life

**freeflex® Spike Line**

## VL PNOO FX

ref. M46442300S

### Approximate set length:

280 cm

### Approximate priming volume:

26 ml

### Main materials:

PVC (tubing: diameter 3.0 x 4.1 mm)

Silicone (tubing: diameter 3.41 x 5.11 mm)

### Advantages

- Tight and secure connection with freeflex® / freeflex®+, ensuring a permanent connection avoiding spillages
- Provides additional protection against bacterial contamination
- Anti free-flow safety clamp
- Flow-Stop Cap
- DEHP as plasticizer is not used
- Latex-free

### Packaging

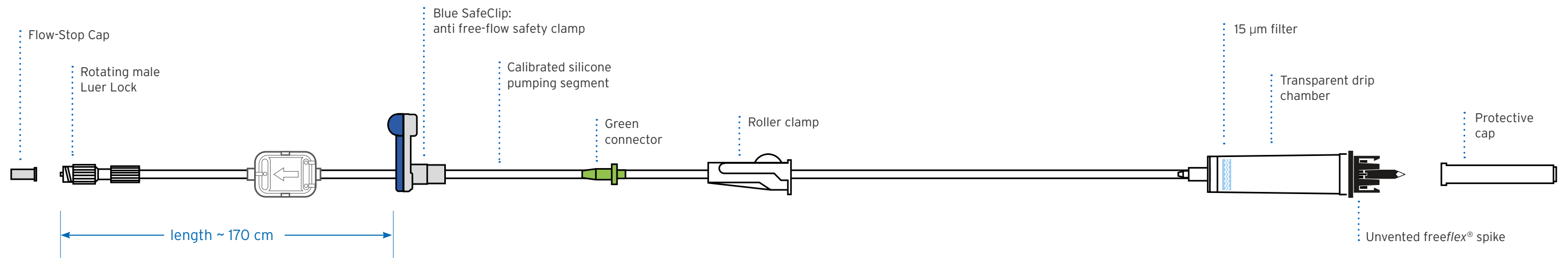
- Case quantity: 30 x 1

### Typical applications

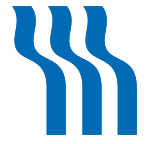
- Only use with Fresenius Kabi freeflex® / freeflex®+ Bags
- Infusion of drugs requiring a 1.2 µm filter
- Can be used for parenteral nutrition
- Infusion of drugs / fluids having no particular incompatibility

### Not to be used for / in

- Bottles
- Standard bags
- Blood cells
- Infusion of drugs known to be incompatible with PVC (e.g. trinitrine, isosorbide dinitrate, sodium nitroprussiate...)
- Light sensitive drugs (unless other precautions are taken to protect the drug against direct light)
- Primary / secondary mode with Volumat MC Agilia / Agilia VP MC / Exelia VP



Due to our policy of continuous product improvement, as well as changes in standards, the features described in this document may change. Please consult us for the most current information.



**FRESENIUS  
KABI**

caring for life

## Filter Lines 1.2 µm Filter

### VL SP22

ref. M46443100S

#### Approximate set length:

290 cm

#### Approximate priming volume:

30 ml

#### Main materials:

PVC (tubing: diameter 3.0 x 4.1 mm)

Silicone (tubing: diameter 3.41 x 5.11 mm)

#### Advantages

- 200 µm filter
- Patient proximal access for emergency application
- Anti free-flow safety clamp
- Flow-Stop Cap
- DEHP as plasticizer is not used
- Latex-free

#### Packaging

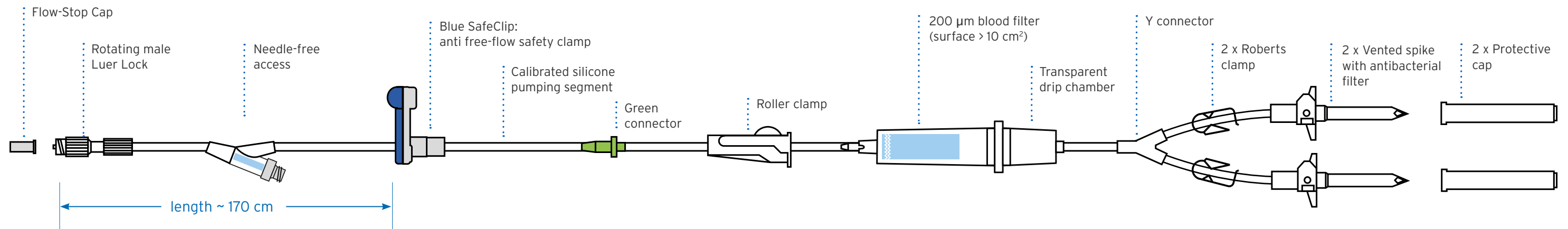
- Case quantity: 30 x 1

#### Typical applications

- Infusion of drugs / fluids
  - available in bags or bottles
  - having no particular incompatibility
- Transfusion
- Secondary infusion
- Manual primary / secondary mode with Volumat MC Agilia / Agilia VP MC / Exelia VP

#### Not to be used for / in

- Infusion of drugs known to be incompatible with PVC (e.g. trinitrine, isosorbide dinitrate, sodium nitroprussiate...)
- Light sensitive drugs (unless other precautions are taken to protect the drug against direct light)
- Needle-free access should not be used to connect a gravity line (unless it is protected by a back check valve)
- Automatic primary / secondary mode with Volumat MC Agilia / Agilia VP MC



Due to our policy of continuous product improvement, as well as changes in standards, the features described in this document may change. Please consult us for the most current information.



**FRESENIUS  
KABI**

caring for life

## Primary Line

### VL SP62

ref. M46443400S

**Approximate set length:**

285 cm

**Approximate priming volume:**

25 ml

**Main materials:**

PUR (tubing: diameter 3.0 x 4.1)

PP (tubing: diameter 2.94 x 4.02)

Silicone (tubing: diameter 3.41 x 5.11)

**Advantages**

- Patient proximal access for emergency application
- Anti free-flow safety clamp
- Flow-Stop Cap
- PVC-free
- DEHP as plasticizer is not used
- Latex-free

**Packaging**

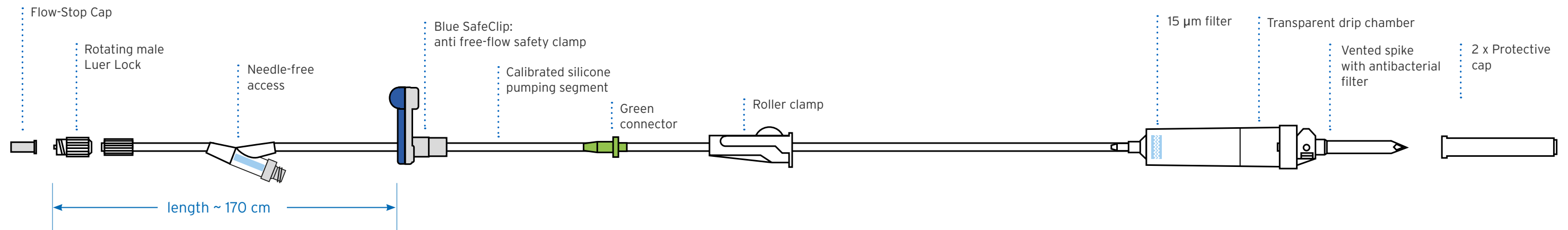
- Case quantity: 30 x 1

**Typical applications**

- Infusion of drugs / fluids
  - having no particular filtration requirements
  - available in bags or bottles
  - having no particular incompatibility
- Infusion of drugs not compatible with PVC

**Not to be used for / in**

- Blood cells
- Light sensitive drugs (unless other precautions are taken to protect the drug against direct light)
- Needle-free access should not be used to connect a gravity line (unless it is protected by a back check valve)
- Primary / secondary mode with Volumat MC Agilia / Agilia VP MC / Exelia VP



Due to our policy of continuous product improvement, as well as changes in standards, the features described in this document may change. Please consult us for the most current information.



**FRESENIUS  
KABI**

caring for life

## Coloured tubing (blue)

### VL SP90

ref. M46443500S

**Approximate set length:**

270 cm

**Approximate priming volume:**

25 ml

**Main materials:**

PUR (tubing: diameter 3.0 x 4.1)

PP (tubing: diameter 2.94 x 4.02)

Silicone (tubing: diameter 3.41 x 5.11)

**Advantages**

- The line filters light in the UV range of 250 / 350 nm for light sensitive drugs
- Anti free-flow safety clamp
- Flow-Stop Cap
- PVC-free
- DEHP as plasticizer is not used
- Latex-free

**Packaging**

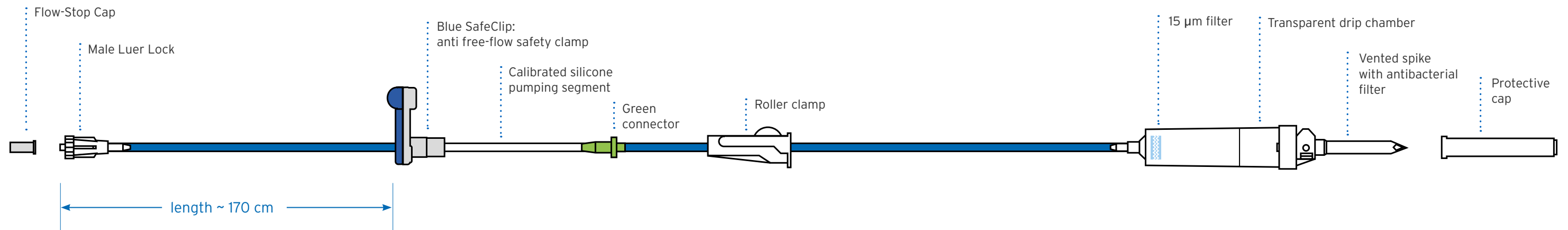
- Case quantity: 30 x 1

**Typical applications**

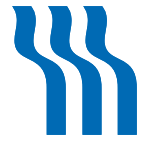
- Infusion of drugs / fluids
  - having no particular filtration requirements
  - available in bags or bottles
  - having no particular incompatibility
- Infusion of drugs not compatible with PVC

**Not to be used for / in**

- Blood cells
- Primary / secondary mode with Volumat MC Agilia / Agilia VP MC / Exelia VP



Due to our policy of continuous product improvement, as well as changes in standards, the features described in this document may change. Please consult us for the most current information.



**FRESENIUS  
KABI**

caring for life

## VL SP92

ref. M46443600S

### Approximate set length:

290 cm

### Approximate priming volume:

25 ml

### Main materials:

PUR (tubing: diameter 3.0 x 4.1)

PP (tubing: diameter 2.94 x 4.02)

Silicone (tubing: diameter 3.41 x 5.11)

### Advantages

- The line filters light in the UV range of 250 / 350 nm for light sensitive drugs
- Patient proximal access for emergency application
- Anti free-flow safety clamp
- Flow-Stop Cap
- PVC-free
- DEHP as plasticizer is not used
- Latex-free

### Packaging

- Case quantity: 30 x 1

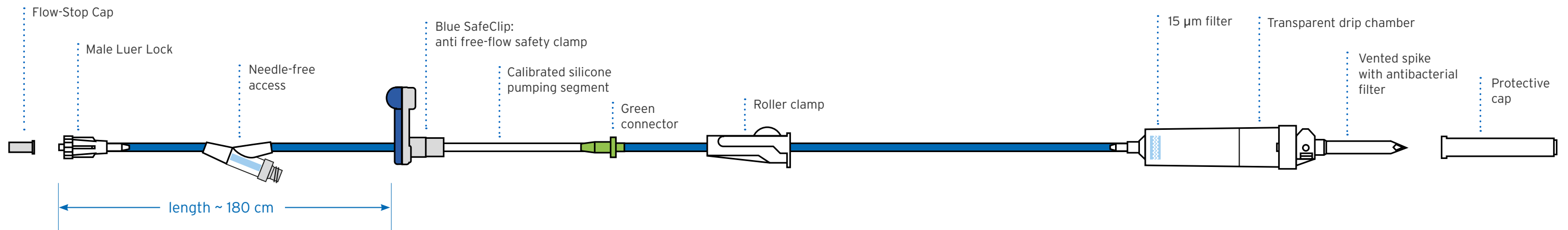
### Typical applications

- Infusion of drugs / fluids
  - having no particular filtration requirements
  - available in bags or bottles
  - having no particular incompatibility
- Infusion of drugs not compatible with PVC

### Not to be used for / in

- Blood cells
- Primary / secondary mode with Volumat MC Agilia / Agilia VP MC / Exelia VP

## Coloured tubing (blue)



Due to our policy of continuous product improvement, as well as changes in standards, the features described in this document may change. Please consult us for the most current information.

**SL**

ref. M77460020

**Approximate set length:**

38 cm

**Approximate priming volume:**

2 ml

**Main materials:**

PUR (tubing: diameter 3.0 x 4.1)

**Advantages**

- Flow-Stop Cap
- PVC-free
- DEHP as plasticizer is not used
- Latex-free

**Packaging**

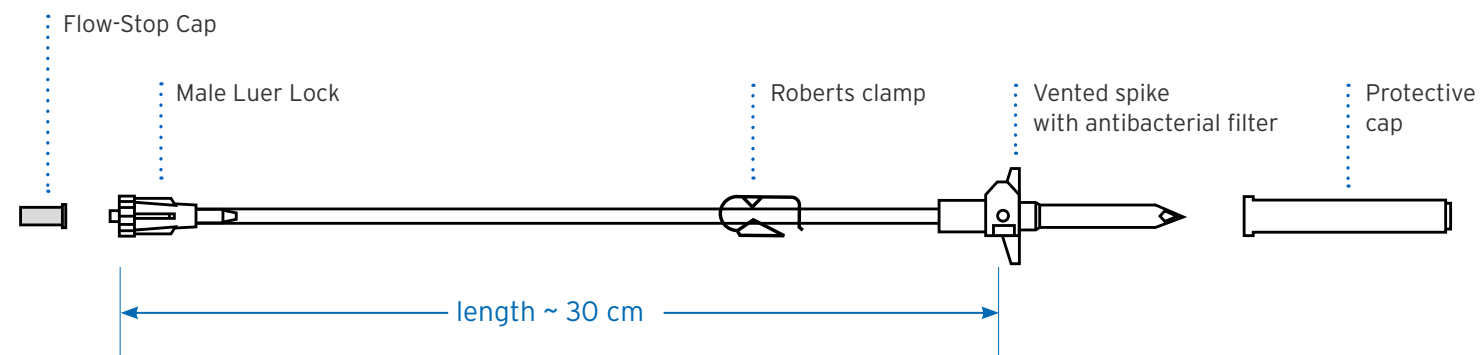
- Case quantity: 60 x 1

**Typical applications**

- Infusion of drugs / fluids
  - having no particular filtration requirements
  - having no particular incompatibility
- Infusion of drugs not compatible with PVC
- Manual primary / secondary mode with Volumat MC Agilia / Agilia VP MC / Exelia VP
- Automatic primary / secondary mode with Volumat MC Agilia / Agilia VP MC
- Secondary Infusion

**Not to be used for / in**

- Blood cells
- Light sensitive drugs (unless other precautions are taken to protect the drug against direct light)





**FRESENIUS  
KABI**

caring for life

## Secondary Sets

### SL Filter

ref. M77460025

**Approximate set length:**

48 cm

**Approximate priming volume:**

5 ml

**Main materials:**

PUR (tubing: diameter 3.0 x 4.1)

**Advantages**

- Provides additional protection against bacterial contamination
- Flow-Stop Cap
- PVC-free
- DEHP as plasticizer is not used
- Latex-free

**Packaging**

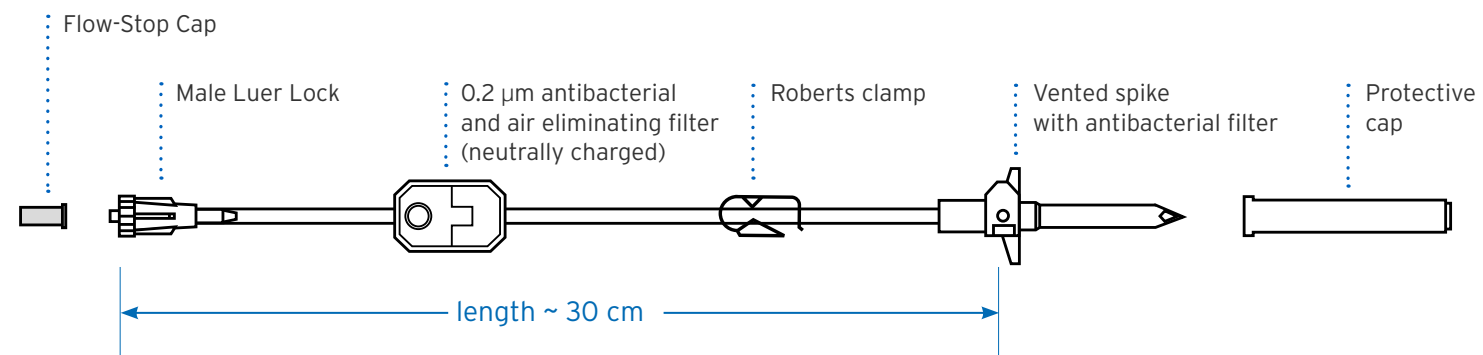
- Case quantity: 40 x 1

**Typical applications**

- Infusion of drugs requiring a 0.2 µm filter
- Infusion of drugs / fluids
  - having no particular incompatibility
- Infusion of drugs not compatible with PVC
- Manual primary / secondary mode with Volumat MC Agilia / Agilia VP MC / Exelia VP
- Automatic primary / secondary mode with Volumat MC Agilia / Agilia VP MC
- Secondary Infusion

**Not to be used for / in**

- Blood cells
- Total parenteral nutrition and other lipid containing solutions
- Light sensitive drugs (unless other precautions are taken to protect the drug against direct light)



Due to our policy of continuous product improvement, as well as changes in standards, the features described in this document may change. Please consult us for the most current information.

## SL FX Filter

ref. M77460026

**Approximate set length:**

78 cm

**Approximate priming volume:**

7 ml

**Main materials:**

PUR (tubing: diameter 3.0 x 4.1)

**Advantages**

- Tight and secure connection with freeflex® / freeflex®+, ensuring a permanent connection avoiding spillages
- Provides additional protection against bacterial contamination
- Flow-Stop Cap
- PVC-free
- DEHP as plasticizer is not used
- Latex-free

**Packaging**

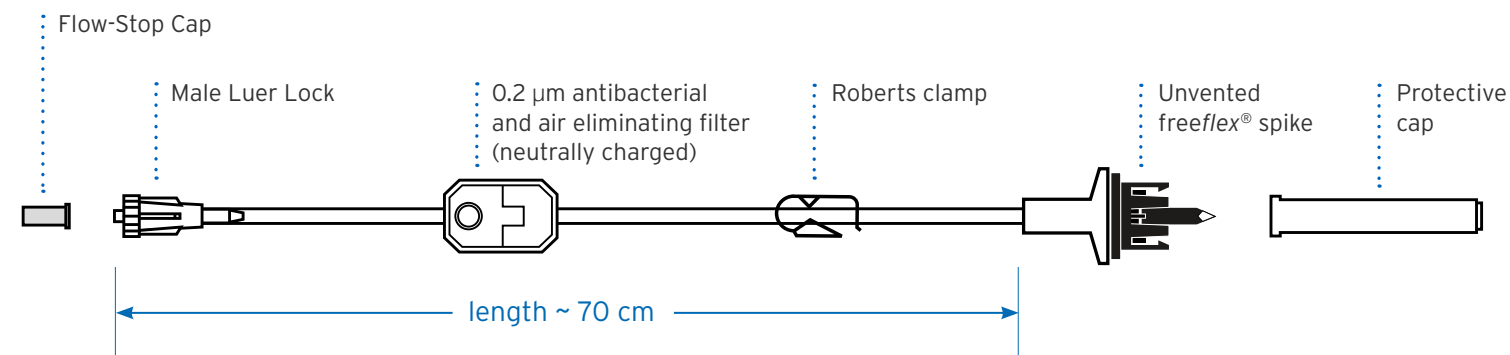
- Case quantity: 40 x 1

**Typical applications**

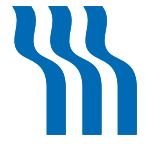
- Only use with Fresenius Kabi freeflex® / freeflex®+ Bags
- Infusion of drugs requiring a 0.2 µm filter
- Infusion of drugs / fluids - having no particular incompatibility
- Infusion of drugs not compatible with PVC
- Manual primary / secondary mode with Volumat MC Agilia / Agilia VP MC / Exelia VP
- Automatic primary / secondary mode with Volumat MC Agilia / Agilia VP MC
- Secondary Infusion

**Not to be used for / in**

- Bottles
- Standard bags
- Blood cells
- Total parenteral nutrition and other lipid containing solutions
- Light sensitive drugs (unless other precautions are taken to protect the drug against direct light)







**FRESENIUS  
KABI**

caring for life

## Secondary Sets

### SL 20 FX ND

ref. M77460033

**Approximate set length:**

65 cm

**Approximate priming volume:**

10 ml

**Main materials:**

PUR (tubing: diameter 3.0 x 4.1)

**Advantages**

- Tight and secure connection with freeflex® / freeflex®+, ensuring a permanent connection avoiding spillages
- Flow-Stop Cap
- PVC-free
- DEHP as plasticizer is not used
- Latex-free

**Packaging**

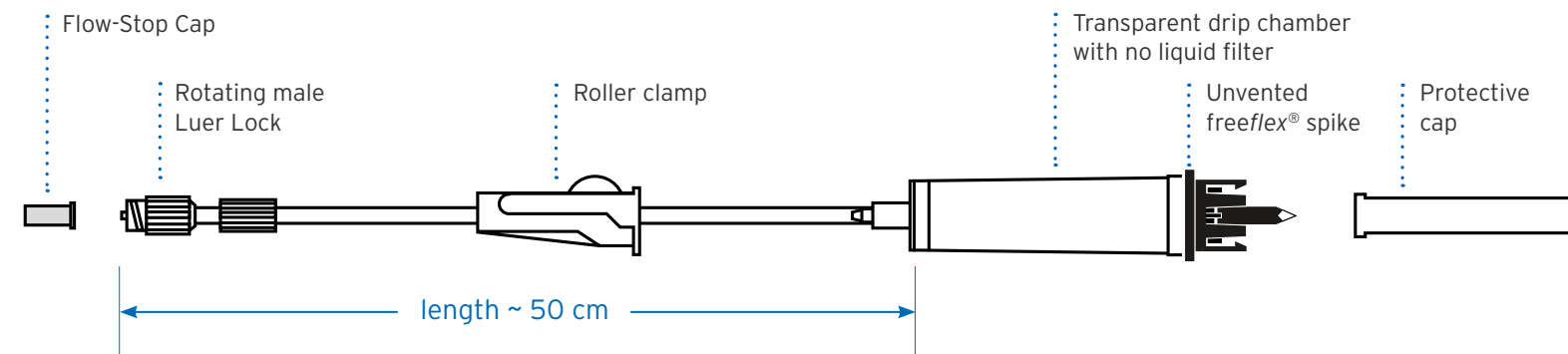
- Case quantity: 50 x 1

**Typical applications**

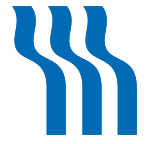
- Only use with Fresenius Kabi freeflex® / freeflex®+ Bags
- Infusion of drugs / fluids
  - having no particular filtration requirements
  - having no particular incompatibility
- Infusion of drugs not compatible with PVC
- Manual primary / secondary mode with Volumat MC Agilia / Agilia VP MC / Exelia VP
- Automatic primary / secondary mode with Volumat MC Agilia / Agilia VP MC
- Secondary Infusion

**Not to be used for / in**

- Bottles
- Standard bags
- Blood cells
- Light sensitive drugs (unless other precautions are taken to protect the drug against direct light)



Due to our policy of continuous product improvement, as well as changes in standards, the features described in this document may change. Please consult us for the most current information.



**FRESENIUS  
KABI**

caring for life

## Secondary Sets

### SL 00 DC

ref. M77460037

**Approximate set length:**

85 cm

**Approximate priming volume:**

12 ml

**Main materials:**

PVC (tubing: diameter 3.0 x 4.1 mm)

**Advantages**

- Flow-Stop Cap
- DEHP as plasticizer is not used
- Latex-free
- Secondary hanger to hang the primary bag lower than the Secondary Infusion

**Packaging**

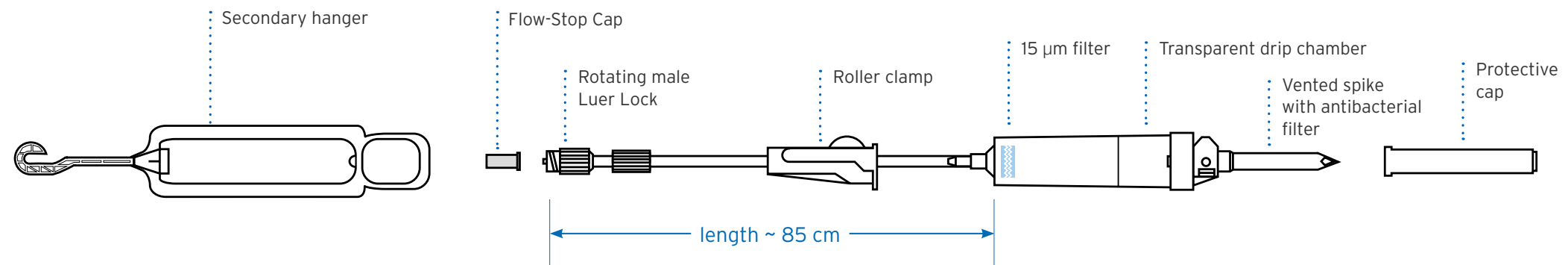
- Case quantity: 40 x 1

**Typical applications**

- Infusion of drugs / fluids
  - having no particular filtration requirements
  - available in bags or bottles
  - having no particular incompatibility
- Manual primary / secondary mode with Volumat MC Agilia / Agilia VP MC / Exelia VP
- Automatic primary / secondary mode with Volumat MC Agilia / Agilia VP MC
- Secondary Infusion

**Not to be used for / in**

- Blood cells
- Infusion of drugs known to be incompatible with PVC (e.g. trinitrine, isosorbide dinitrate, sodium nitroprussiate...)
- Light sensitive drugs (unless other precautions are taken to protect the drug against direct light)



Due to our policy of continuous product improvement, as well as changes in standards, the features described in this document may change. Please consult us for the most current information.

## SL 00 FX

ref. M77460062

**Approximate set length:**

45 cm

**Approximate priming volume:**

2.5 ml

**Main materials:**

PUR (tubing: diameter 3.0 x 4.1 mm)

**Advantages**

- Tight and secure connection with freeflex® / freeflex®+, ensuring a permanent connection avoiding spillages
- One-way check valve
- Flow-Stop Cap
- PVC-free
- DEHP as plasticizer is not used
- Latex-free

**Packaging**

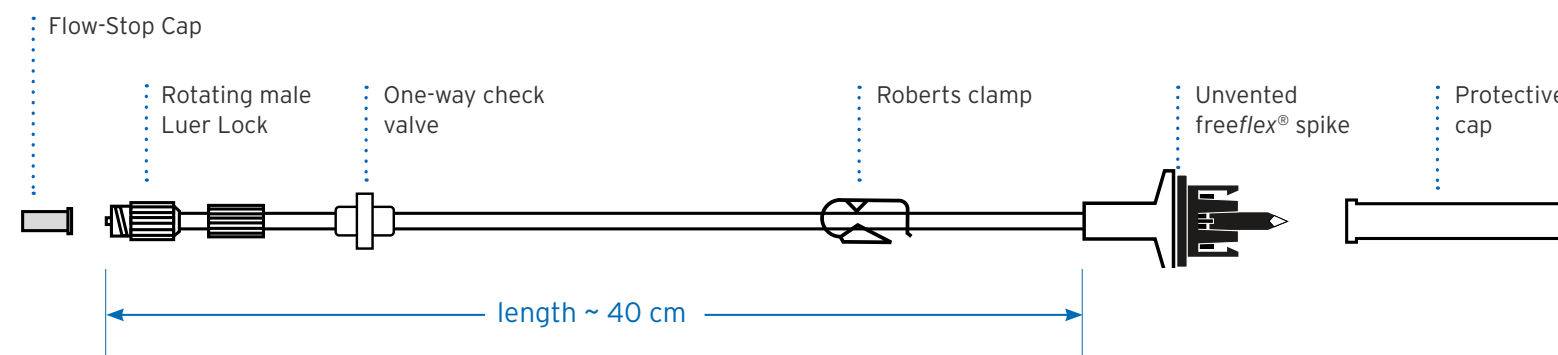
- Case quantity: 60 x 1

**Typical applications**

- Only use with Fresenius Kabi freeflex® / freeflex®+ Bags
- Infusion of drugs / fluids
  - having no particular filtration requirements
  - having no particular incompatibility
- Infusion of drugs not compatible with PVC
- Manual primary / secondary mode with Volumat MC Agilia / Agilia VP MC / Exelia VP
- Automatic primary / secondary mode with Volumat MC Agilia / Agilia VP MC
- Secondary Infusion

**Not to be used for / in**

- Bottles
- Standard bags
- Blood cells
- Light sensitive drugs (unless other precautions are taken to protect the drug against direct light)





**FRESENIUS  
KABI**

caring for life

## Secondary Sets

### SL 00 OP

ref. M77460065

**Approximate set length:**

45 cm

**Approximate priming volume:**

2.5 ml

**Main materials:**

PUR (tubing: diameter 3.0 x 4.1 mm)

**Advantages**

- The line filters light in the UV range of 200 - 450 nm for light sensitive drugs
- One-way check valve
- Flow-Stop Cap
- PVC-free
- DEHP as plasticizer is not used
- Latex-free

**Packaging**

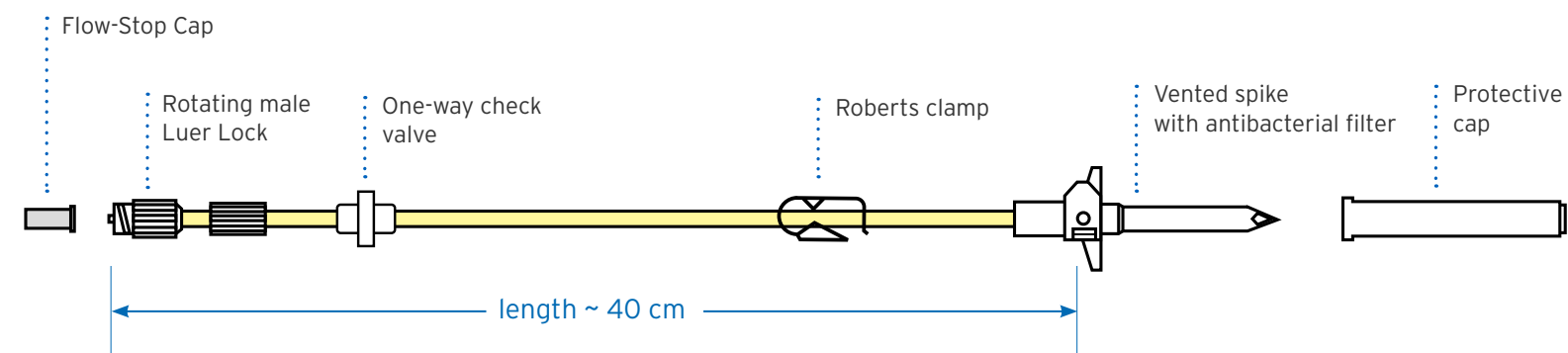
- Case quantity: 60 x 1

**Typical applications**

- Infusion of drugs / fluids
  - having no particular filtration requirements
  - having no particular incompatibility
- Infusion of drugs not compatible with PVC
- Manual primary / secondary mode with Volumat MC Agilia / Agilia VP MC / Exelia VP
- Automatic primary / secondary mode with Volumat MC Agilia / Agilia VP MC
- Secondary Infusion

**Not to be used for / in**

- Blood cells



Due to our policy of continuous product improvement, as well as changes in standards, the features described in this document may change. Please consult us for the most current information.

## SL IP

ref. M77460069

**Approximate set length:**

43 cm

**Approximate priming volume:**

2.6 ml

**Main materials:**

PUR (tubing: diameter 3.0 x 4.1 mm)

**Advantages**

- Inverted port
- One-way check valve
- Flow-Stop Cap
- PVC-free
- DEHP as plasticizer is not used
- Latex-free

**Packaging**

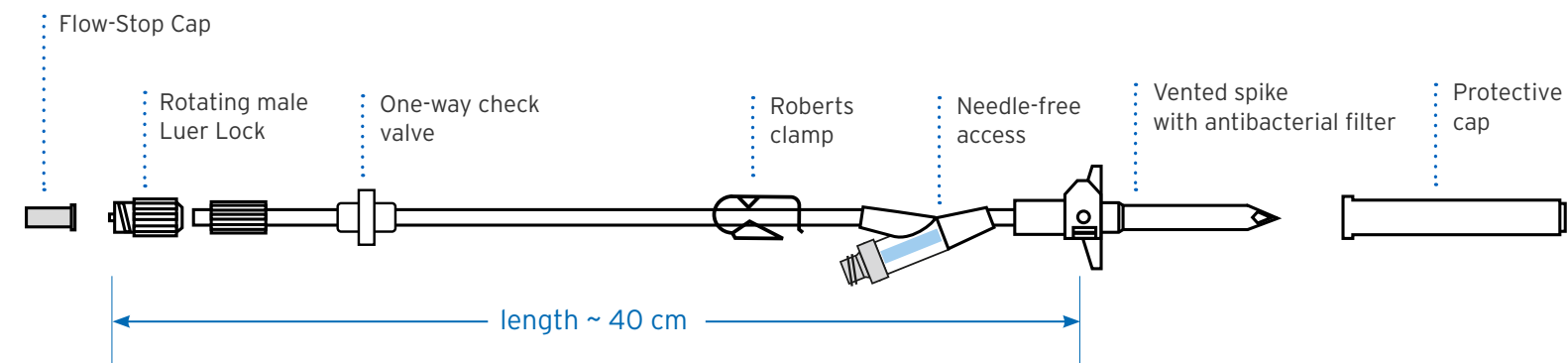
- Case quantity: 60 x 1

**Typical applications**

- Infusion of drugs / fluids
  - having no particular filtration requirements
  - having no particular incompatibility
- Infusion of drugs not compatible with PVC
- Manual primary / secondary mode with Volumat MC Agilia / Agilia VP MC / Exelia VP
- Automatic primary / secondary mode with Volumat MC Agilia / Agilia VP MC
- Secondary Infusion

**Not to be used for / in**

- Bottles
- Light sensitive drugs (unless other precautions are taken to protect the drug against direct light)



## SL OP IP

ref. M77460068

**Approximate set length:**

43 cm

**Approximate priming volume:**

2.6 ml

**Main materials:**

PUR (tubing: diameter 3.0 x 4.1 mm)

**Advantages**

- The line filters light in the UV range of 200 - 450 nm for light sensitive drugs
- Inverted port
- One-way check valve
- Flow-Stop Cap
- PVC-free
- DEHP as plasticizer is not used
- Latex-free

**Packaging**

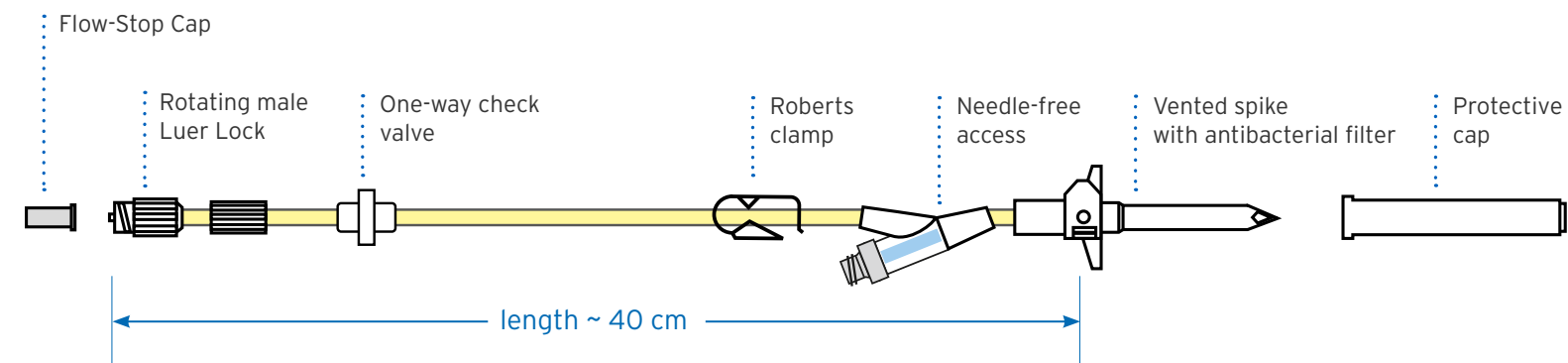
- Case quantity: 60 x 1

**Typical applications**

- Infusion of drugs / fluids
  - having no particular filtration requirements
  - having no particular incompatibility
- Infusion of drugs not compatible with PVC
- Manual primary / secondary mode with Volumat MC Agilia / Agilia VP MC / Exelia VP
- Automatic primary / secondary mode with Volumat MC Agilia / Agilia VP MC
- Secondary Infusion

**Not to be used for / in**

- Blood cells



## SL Filter IP

ref. M77460070

**Approximate set length:**

43 cm

**Approximate priming volume:**

5.3 ml

**Main materials:**

PUR (tubing: diameter 3.0 x 4.1 mm)

**Advantages**

- Provides additional protection against bacterial contamination
- Inverted port
- One-way check valve
- Flow-Stop Cap
- PVC-free
- DEHP as plasticizer is not used
- Latex-free

**Packaging**

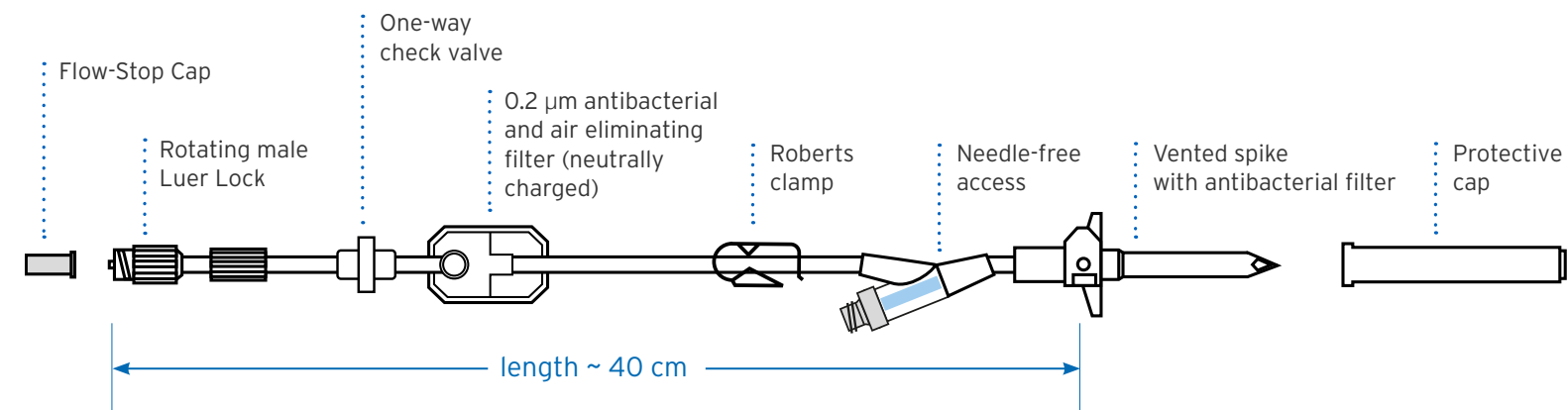
- Case quantity: 40 x 1

**Typical applications**

- Infusion of drugs requiring a 0.2 µm filter
- Infusion of drugs / fluids
  - having no particular incompatibility
- Infusion of drugs not compatible with PVC
- Manual primary / secondary mode with Volumat MC Agilia / Agilia VP MC / Exelia VP
- Automatic primary / secondary mode with Volumat MC Agilia / Agilia VP MC
- Secondary Infusion

**Not to be used for / in**

- Blood cells
- Total parenteral nutrition and other lipid containing solutions
- Light sensitive drugs (unless other precautions are taken to protect the drug against direct light)



# Additional information





## Sets

by reference

REFERENCE	DESIGNATION
<b>Standard and Primary Sets</b>	
VL ST00	M46441000S
VL ST10	M46441300S
VL ST01	M46441600S
VL ST02	M46441900S
VL ST02 ND	M46441980
VL ST22	M46442500S
VL ST42	M46442600S
VL ST44	M46443200

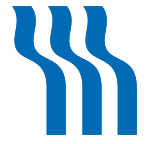
REFERENCE	DESIGNATION
<b>Oncology Sets</b>	
VL ON10	M46445500S
VL ON11	M4643900
VL ON12	M46444800
VL ON15	M46446600
VL ON20	M46445700S
VL ON22	M46444200
VL ON22 FX	M46444251
VL ON30	M46445900S
VL ON40	M46445100S
VL ON401	M46444001
VL ON42	M46444000S
VL ON42 FX	M46444051
VL ON42 SC	M46444061
VL ON45	M46446700
VL ON70	M46444600S
VL ON72	M46444100S
VL ON90	M46444900S
VL ON91	M46444901
VL ON22 OP	M46446000S
VL ON22 OP NF	M46444230S
VL ON42 OP	M46445801
VL ON42 OP NF	M46444080S
VL ON42 OP SC	M46444071

REFERENCE	DESIGNATION
<b>Transfusion Sets - 200 µm Filter</b>	
<b>200 µm Filter</b>	
VL TR00	M46442800S
VL TR12	M46442700S
VL TR21	M46446200S
VL TR22	M46443000S
VL TR42	M46442900S
VL TR43	M46444500S
<b>Microbore</b>	
VL PA02	M46442200S
<b>Burette Lines</b>	
VL PA92	M46445200S
VL PA93	M46443800S
VL PA94	M46445300S

REFERENCE	DESIGNATION
<b>Parenteral Nutrition Sets</b>	
<b>1.2 µm Filter</b>	
VL PN00	M46444300S
VL PN02	M46444400S
<b>Special Application</b>	
VL PN20	M46443700S
<b>Freeflex® Spike Line</b>	
VL PN00 FX	M46442300S

REFERENCE	DESIGNATION
<b>Special Sets</b>	
<b>200 µm Filter</b>	
VL SP22	M46443100S
<b>Primary Line</b>	
VL SP62	M46443400S
<b>Coloured Tubing (blue)</b>	
VL SP90	M46443500S
VL SP92	M46443600S
SL Filter IP	M77460070

REFERENCE	DESIGNATION
<b>Secondary Sets</b>	
SL	M77460020
SL FILTER	M77460025
SL FX FILTER	M77460026
SL 20 FX ND	M77460033
SL 00 DC	M77460037
SL 00 FX	M77460062
SL 00 OP	M77460065
SL IP	M77460069
SL OP IP	M77460068
SL Filter IP	M77460070



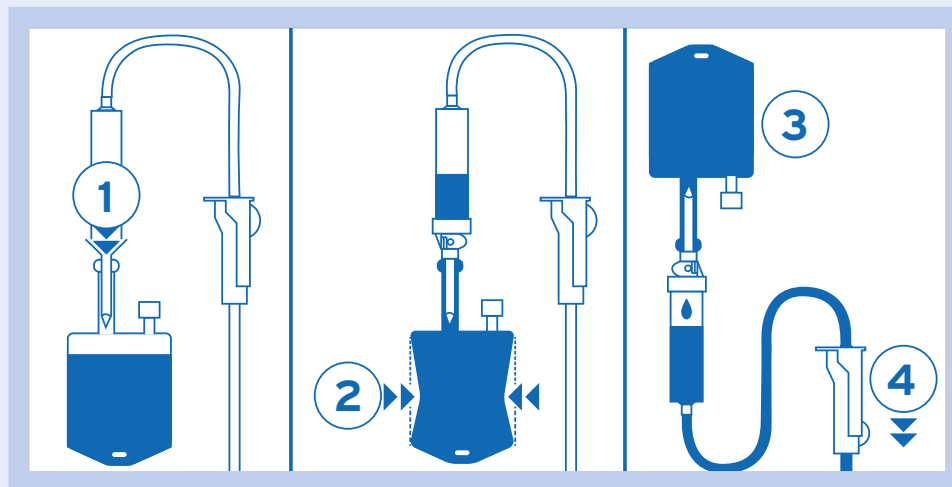
**FRESENIUS  
KABI**

caring for life

## Priming of the set

used with a bag

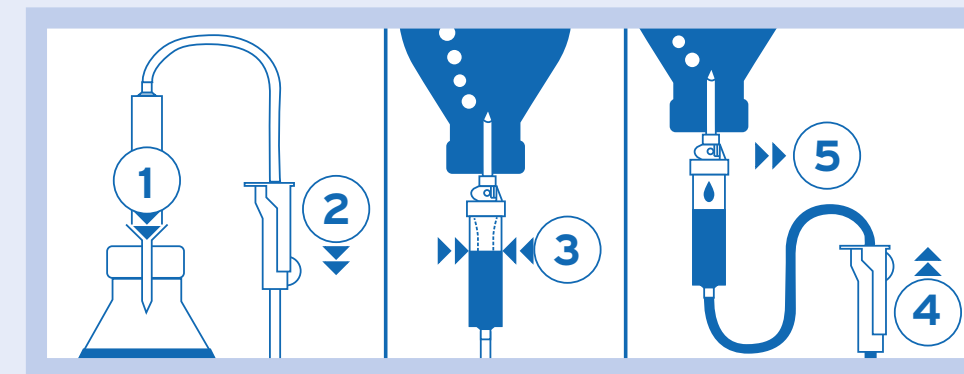
- 1 Introduce the spike right down into the bag (roller clamp open - air inlet closed).
- 2 Press the bag in order to remove the air, and fill the drip chamber up to half of its capacity.
- 3 Hang the bag upside down, and let the liquid flow into the set.
- 4 Once the set is completely primed, close the roller clamp and check absence of air bubbles.



## Priming of the set

used with a bottle

- 1 Introduce the spike right down into the bottle (roller clamp open - air inlet closed).
- 2 Close the roller clamp.
- 3 Hang the bottle upside down, then press the drip chamber in order to fill it to ~ half of its capacity.
- 4 Open the roller clamp.
- 5 Open the air inlet, and let the liquid flow into the set.
- 6 Once the set is completely primed, close the roller clamp and check absence of air bubbles.



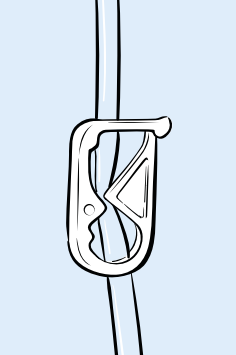


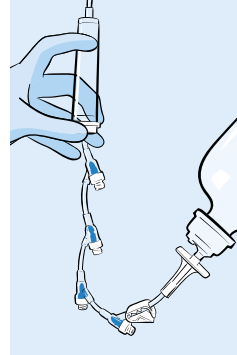
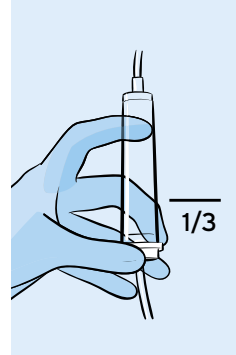
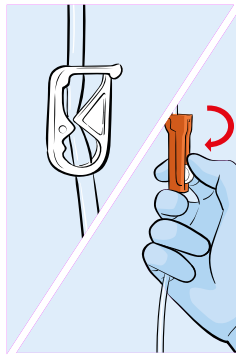
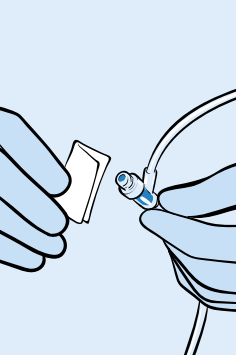
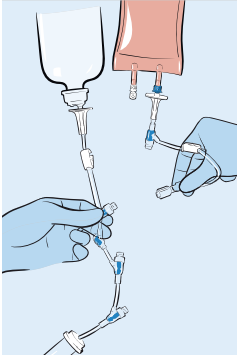


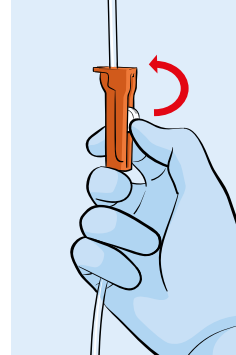


**FRESENIUS  
KABI**

caring for life

## Handling recommendation

for Administration Sets with inline drip chamber

	<p>1</p> <p>Close upper clamp of the administration set for all of the handling recommendations</p>		<p>2</p> <p>Remove cap from the spike of the administration set and spike infusion container.</p>		<p>3</p> <p>Turn infusion container and port upside down (180°), open upper clamp again.</p>		<p>4</p> <p>Hold the drip chamber of the administration set above the port of the infusion container.</p>		<p>5</p> <p>Press infusion container until the drip chamber of the administration set is filled to 1/3. Then hang infusion container on infusion stand and prime administration set completely. Flow-Stop Cap will prevent leakage.</p>		<p>6</p> <p>Close upper clamp and roller clamp of administration set.</p>
	<p>7</p> <p>Disinfect needle-free access port of the administration set (main line).</p>		<p>8</p> <p>Attach connector of primed Secondary Line to needle-free access port of the administration set.</p>		<p>9</p> <p>Prepare for start of infusion according to local protocol and manufacturer's guideline for respective pump in use.</p>		<p>10</p> <p>Attach connector of administration set to patient access site. Consider local protocol for the procedure.</p>		<p>11</p> <p>Before starting the process open the roller clamp of the administration set.</p>		



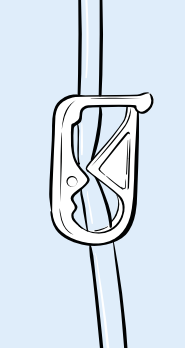
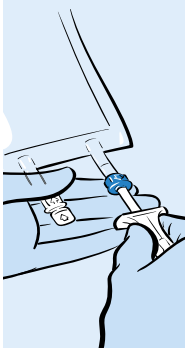
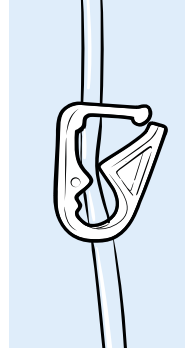
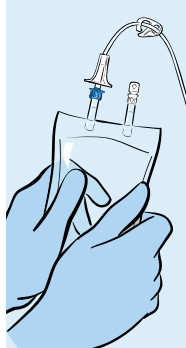
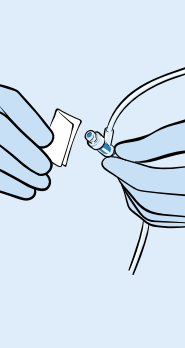
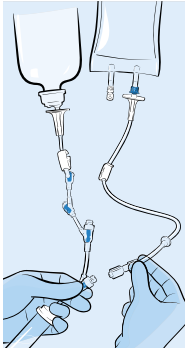
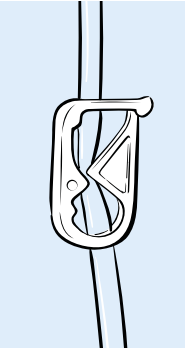
**FRESENIUS  
KABI**

caring for life

## Handling recommendation

For Secondary Lines with and without inverted port

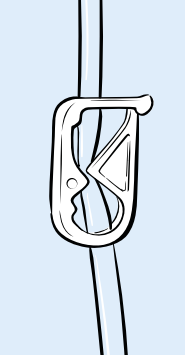
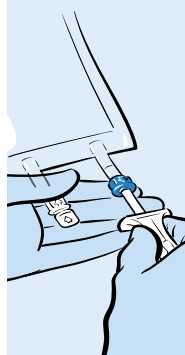
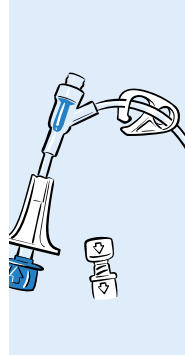
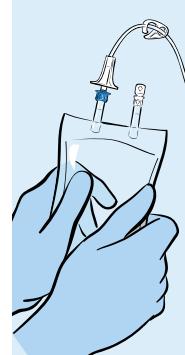
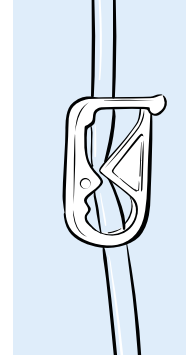
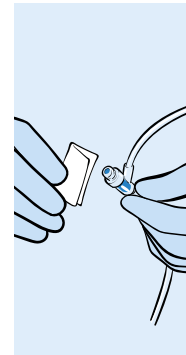
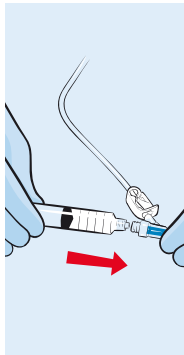
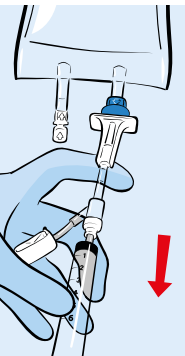

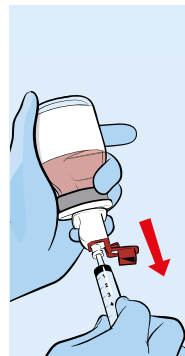
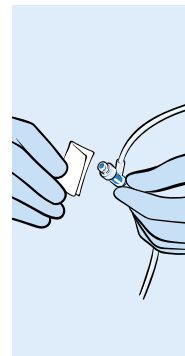
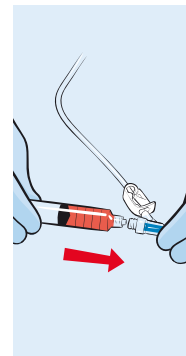
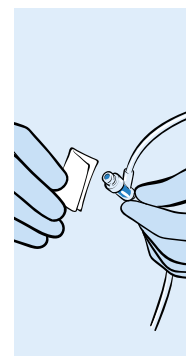
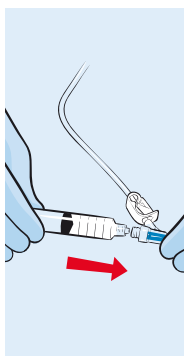
### A: Without inverted port

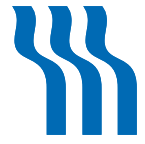
	<p>①</p> <p>Close clamp of Secondary Line.</p>
	<p>②</p> <p>Remove cap from the spike of the Secondary Line and spike infusion container.</p>
	<p>③</p> <p>Open clamp of Secondary Line.</p>
	<p>④</p> <p>Turn infusion container up-side down and press it until the Secondary Line is completely deaired and filled with solution.</p>
	<p>⑤</p> <p>Disinfect needle-free access port of the administration set (main line).</p>
	<p>⑥</p> <p>Attach connector of primed Secondary Line to needle-free access port of the administration set.</p>
	<p>⑦</p> <p>Close clamp of Secondary Line. <b>Remark:</b> Open clamp of the container which will be used, close the other one.</p>

## Handling recommendation

For Secondary Lines with and without inverted port

### B: With inverted port

	<p>1</p> <p>Close clamp of Secondary Line.</p>		<p>2</p> <p>Remove cap from the spike of the Secondary Line and spike infusion container.</p>		<p>3</p> <p>Turn port upsidedown and open the clamp of the Secondary Line.</p>		<p>4</p> <p>Press infusion container until the Secondary Line is completely deaired and filled with neutral solution.</p>		<p>5</p> <p>Close clamp of Secondary Line. Be sure that the clamp is placed next to the needle-free access. Do not open clamp during the process again! It remains closed!</p>		<p>6</p> <p>Disinfect needle-free access port.</p>		<p>7</p> <p>Connect syringe to needle-free access port.</p>
	<p>8</p> <p>Withdraw desired amount of fluid for flushing.</p>		<p>9</p> <p>Spike disinfected vial with chemo-spike.</p>		<p>10</p> <p>Withdraw calculated volume of cytostatic drug.</p>		<p>11</p> <p>Disinfect needle-free access port.</p>		<p>12</p> <p>Connect syringe with cytostatic drug to needle-free access port and inject fluid.</p>		<p>13</p> <p>Disinfect needle-free access port at Secondary Line.</p>		<p>14</p> <p>Take flush syringe, connect to needle-free access port and flush system.</p>



**FRESENIUS  
KABI**

caring for life

## Installation

of the infusion set

① ②



- ① Open the pump door by lifting the door lever.

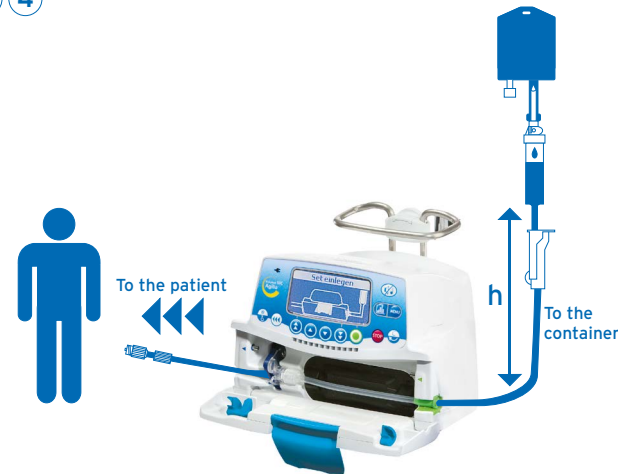
*Note: The pump automatically switches on when connected to mains. If not, press the <ON> key. An auto-test checks the functionality of the pump. Make sure that all LEDs and buzzers are activated.*

- ② Once the auto-test is OK, an alarm screen appears to indicate that you can start installing the tubing set.

*Note: The flashing red leds indicate that it is an alarm. If no action is taken within 2 minutes, an audible signal will sound. Press the <SILENCE ALARM> key.*

1. Align the tubing set horizontally along the tube guides so that the green connector is positioned to the right (green) and the blue clamp is positioned in front of the clamp guide (blue).
2. Insert the green connector into the green slot.
3. Position the blue SafeClip in its blue slot and then push the clamp to locate the spherical hinge into place.
4. Ensure that the tube is in the left tube guide, then push the door lever to close the pump door.

③ ④



- ③ Occlusivity Check System automatically clamps the line, activates real pumping and checks pressure increase.

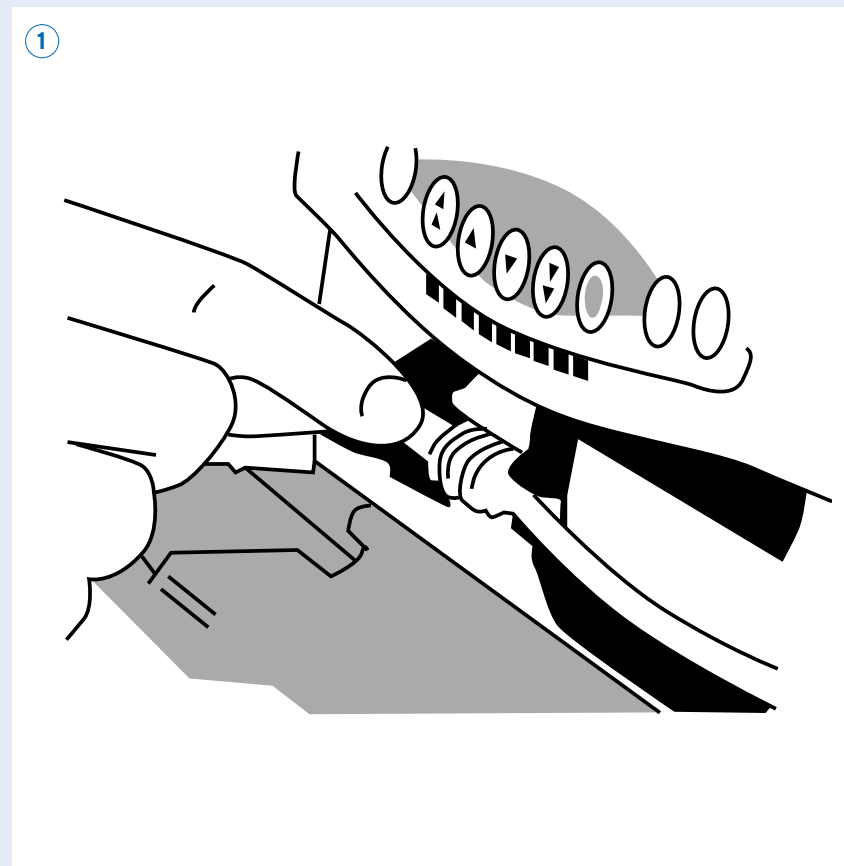
*The OCS-test checks the right set positioning and pump occlusivity, thus securing the pump against the risk of free-flow.*

- ④ Place the container away from the pump. The container should be placed 20 to 80 cm above the pump (h).

## Deinstallation

of the infusion set

- ① Remove the set by pulling on the safety clamp and on the administration set.
- ② Release the Safe Clip.



## Compatibility

with Agilia and Exelia Pumps

### Volumat administration sets can be used with the Volumat Agilia and Exelia Pumps:

BRAND NAMES OF THE MODELS COMPATIBLE WITH IEC 60601 ED 2, INTRODUCED FROM 2007

- Volumat Agilia, Volumat MC Agilia

BRAND NAMES OF THE MODELS COMPATIBLE WITH IEC 60601 ED 2 AND ED3, INTRODUCED FROM 2016

- Agilia VP, Agilia VP MC, Agilia VP MC Wifi

BRAND NAMES OF THE MODELS COMPATIBLE WITH IEC 60601 ED 2 AND ED 3, INTRODUCED FROM 2013


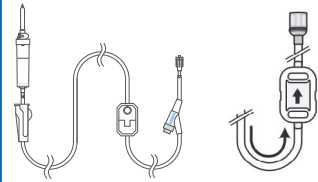

- Volumat MC Agilia US


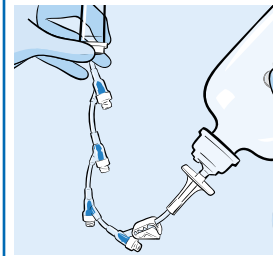

BRAND NAMES OF THE MODELS COMPATIBLE WITH IEC 60601 ED 2 AND ED 3, INTRODUCED FROM 2019

- Exelia VP

## Specific Features

Function, information and handling

	Function	General information	Specific handling
<b>Filters</b>			
	<ul style="list-style-type: none"> <li>Prevention of infusion of small amounts of air</li> <li>Prevention of infusion of bacteria, fungi, microorganisms and particles larger than 0,2 µm or 1,2µm</li> <li>1,2µm filter is for TPN and lipid administration</li> </ul>	<ul style="list-style-type: none"> <li>0,2 µm or 1,2µm hydrophylic filter membrane</li> <li>Neutrally charged</li> <li>Low binding</li> </ul>	<p>Keep filter in vertical position with the flow arrow upwards. The filter will eliminate air and let the liquid flow go through. After priming is complete, filter can stay in any position</p> 
<b>PVC-free tubing</b>			
	<ul style="list-style-type: none"> <li>Prevention of adsorption or absorption of drug (in)to tube as well as leaching of plasticizer from tube</li> </ul>	<ul style="list-style-type: none"> <li>Adsorption, absorption, or leaching of PVC might lead to:               <ul style="list-style-type: none"> <li>- Loss of drug concentration</li> <li>- Accidental infusion of plasticizer</li> </ul> </li> </ul>	

	Function	General information	Specific handling
<b>Needle-free access</b>			
	<ul style="list-style-type: none"> <li>IV access device for needle-free injection and infusion via a Secondary Line and/or needle-free syringe</li> </ul>	<ul style="list-style-type: none"> <li>Infusion pressure:               <ul style="list-style-type: none"> <li>- up to 2 bar</li> </ul> </li> <li>Maximum flow rate:               <ul style="list-style-type: none"> <li>- 10.900 ml/hour (183 ml/min)</li> </ul> </li> <li>Double sealed; no air entrance during activation</li> <li>Tested for 96 h usage and 200 activations</li> </ul>	<p>Priming needs to be done with needle-free access upside down.</p> 
<b>freeflex® infusion line</b>			
	<ul style="list-style-type: none"> <li>Guarantees a permanent connection between the freeflex® / freeflex®+, ensuring a closed system</li> </ul>	<p>The freeflex® portfolio with freeflex® infusion lines, freeflex® spike, freeflex® and freeflex®+ allows the following features:</p> <ul style="list-style-type: none"> <li>Secure and tight connection to the bag</li> <li>Easy to pierce with low risk of injury</li> <li>Colour code: „blue to blue“</li> </ul>	<ul style="list-style-type: none"> <li>Please use lines equipped with the freeflex® set to fully gain advantages of the closed system</li> <li>freeflex® system can avoid accidental disconnection and prevent contamination with cytostatics</li> </ul> 